



RULON INTERNATIONAL

Plasline[®] 800 and 850
Suspended Ceiling
Installation Guide

Rulon Suspended Plasline® 800 and 850 Ceiling Installation Guide

Receipt and Storage:

- a. All material shall be delivered to the project site in the original, labeled, unopened packages.
- b. Material shall be stored flat and level in a fully enclosed space, preferably in the room in which they are to be installed. **DO NOT store Plasline® ceiling strips and spacers in direct sunlight.**
- c. Care in handling must be exercised to avoid damage.

Before You Begin Installation:

- a. Ensure that all necessary tools are available (see below)
- b. Check Ceiling components to ensure all items required are at hand (see Page 2)
- c. Review this guide in its entirety. If you have any questions, call Rulon Company before you start the installation

If You Need Further Assistance:

- If you have any questions, or if you encounter a situation not covered by this installation guide, contact the Rulon Technical Department.

Phone: 1-800-22RULON (1-800-227-8566)

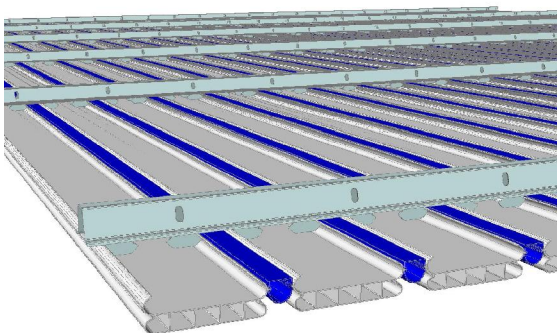
Fax: 1-904-584-1499

Tools and Equipment:

- Standard leveling devices
- Hacksaw
- Power miter saw w/ reversed fine tooth blade
- PVC Contact Cement
- Standard Contractor's tools

NOTE:

Call the Rulon Technical Department for clarification of Plasline® installation or for special conditions such as pools, gyms, exterior installations etc.



Plasline® #850 Strips Shown with #860 Spacers

Ceiling Components:

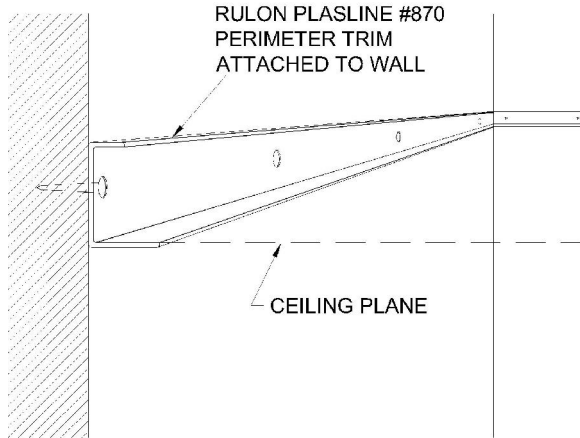
Supplied by Rulon:

- #800 Ceiling Strips or
- #850 Ceiling Strips
- #860 Spacers (optional)
- #880 Carriers
- #890 Carrier Connectors
- #850S Splicing Material
- #870 Perimeter Trim

Supplied by others:

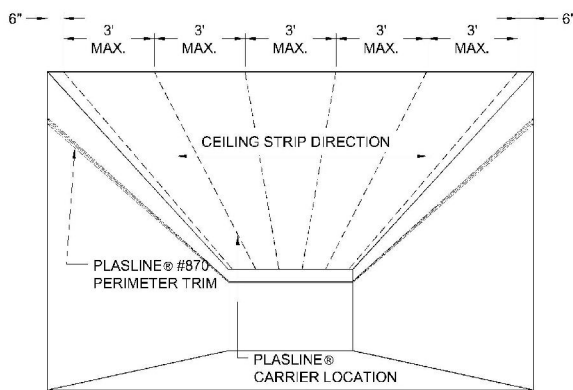
- #12 Gauge Hanger Wire
- Hanger inserts
- Fasteners, as needed
- Acoustical Blanket
(when specified)

Rulon Suspended Plasline® 800 and 850 Ceiling Installation Guide



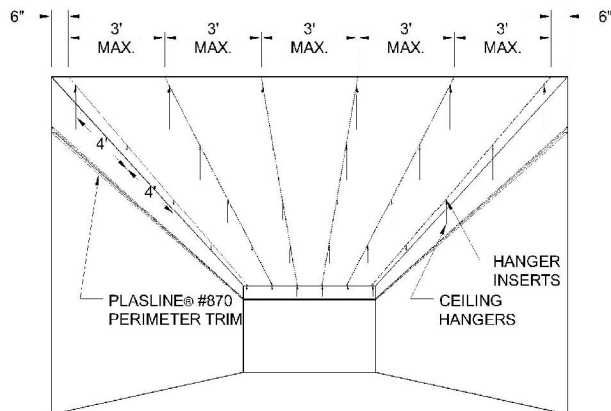
Step 1: Perimeter Installation

Establish the ceiling height with laser, water-level, or other appropriate method. Mark location. Install #870 Perimeter Trim at ceiling height with appropriate fastener.



Step 2: Carrier Placement (Interior)

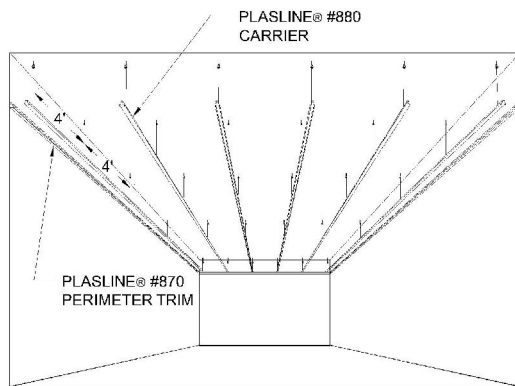
Mark Carrier locations, as specified. Carriers spacing should not exceed 3' O.C. Spacing differs for exterior applications or special conditions such as pools or gyms. Carriers shall be suspended starting 6" from one wall, and ending within 6" of the opposite wall. Carriers shall run perpendicular to the direction of the Plasline® ceiling strips.



Step 3: Attaching Hangers (Interior)

Install hanger inserts (i.e.; screw eyes, star anchors, or eye pins shot or hammered into ceiling or clips attached to beam flanges) at 4' O.C. Hang #12-Gauge wire hangers from the inserts.

Rulon Suspended Plasline® 800 and 850 Ceiling Installation Guide

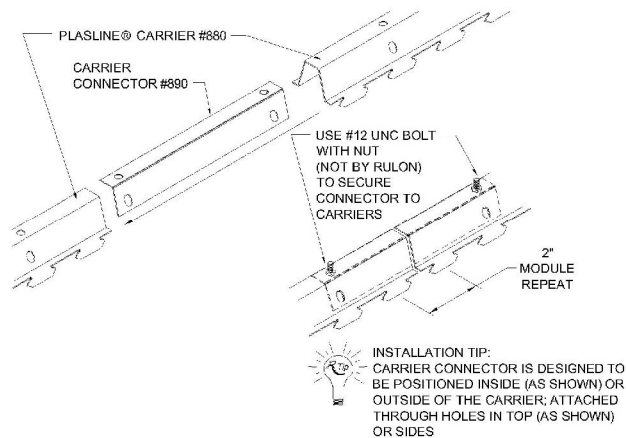


Step 4: Carrier Suspension

Hang carriers from ceiling hangers. Level.

Note:

For exterior ceiling such as soffits, drive-thrus, etc., wind uplift may necessitate the use of hold-downs. Call Rulon company for recommended methods of installation and refer to Rulon Shop Drawings if applicable.

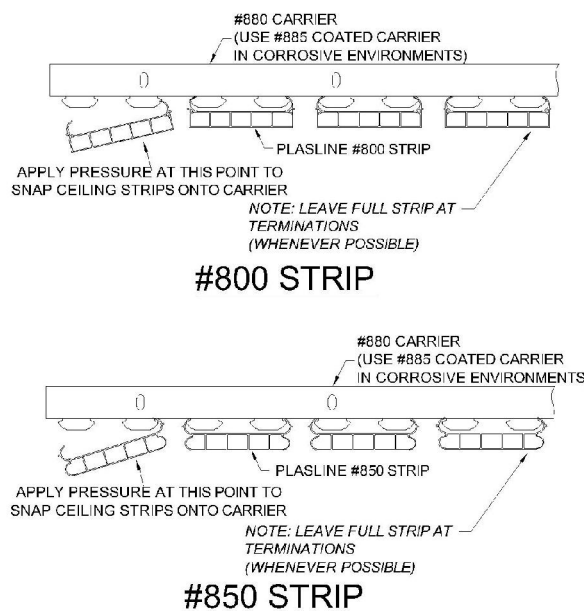


Step 5: Extending Plasline® Carrier

At junctions between carriers, insert one #890 carrier connector. Attach carrier connector inside carriers as shown. Stagger locations of splice.

Note:

Carrier connector is for alignment only. Support carrier as needed near splice.



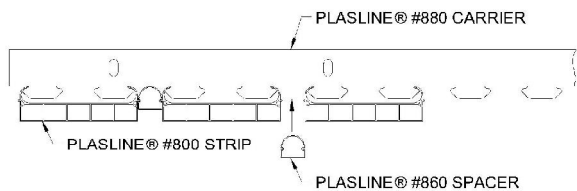
Step 6: Ceiling Strip Attachment

Beginning at one wall, connect the #800 or #850 Ceiling Strips to the carrier, in sequence. If acoustical blankets are to be installed, they should be placed above the ceiling, as the installation progresses. Light cutouts should also be made as the ceiling is installed.

Note:

It will be necessary to apply downward pressure to the ceiling carriers when snapping strips onto carrier.

Rulon Suspended Plasline® 800 and 850 Ceiling Installation Guide

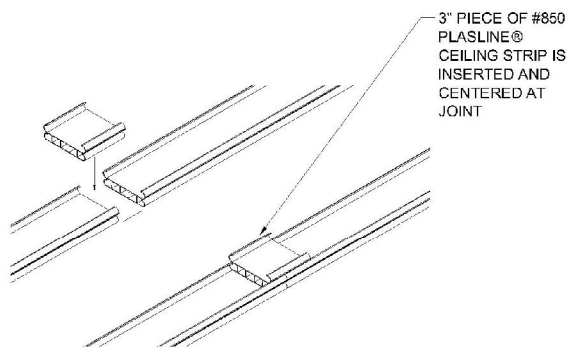


Step 7: Spacer Installation (If needed)

Install #860 spacers between the ceiling strips. Push filler strips between ceiling strips until they snap into place. Refer to project-specific shop drawings for spacer orientation (flat side up or down).

Step 8: Ceiling Strip Splices

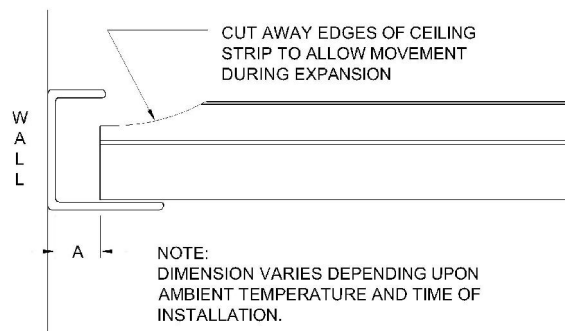
When it is necessary to continue ceiling strips, align strip ends by placing a piece of #850S splice strip inverted, and centered, behind the #800 or #850 ceiling strips. This should be done when the strip is installed, prior to the installation of adjacent strips. Contact adhesive may be used to secure the splice pieces if needed.



NOTE:
USE PVC CEMENT TO
SECURE SPLICE STRIP IN
PLACE (OPTIONAL)

Note:

Strips shall be cut with a power miter saw having a reversed, fine tooth blade. Field check all strips (including full length strips) for a 90 degree cut end, and trim as necessary, to assure tight butt joints. To ensure a tight end match between all strips to be butted together, it is recommended strips be overlapped slightly and cut at the same time.



Step 9: Allowance for Expansion

Trim PVC strips at perimeter to allow for expansion and contraction. Dimension 'A' varies between 1/4" and 1/2" for an 18' long Plasline® ceiling, depending upon installation temperature. **Contact the Rulon Technical Department for Clarification.**

Step 10: Adjustment, Cleaning, and Repair

- a. The contractor shall make final adjustments to level or contours
- b. Upon completions of the ceiling installation, the contractor shall clean all PVC strips and borders of dirt, dust, grease, oils, fingerprints, etc. using warm, soapy water – followed by a rinse.
- c. All work that cannot be successfully cleaned and repaired shall be removed & replaced.