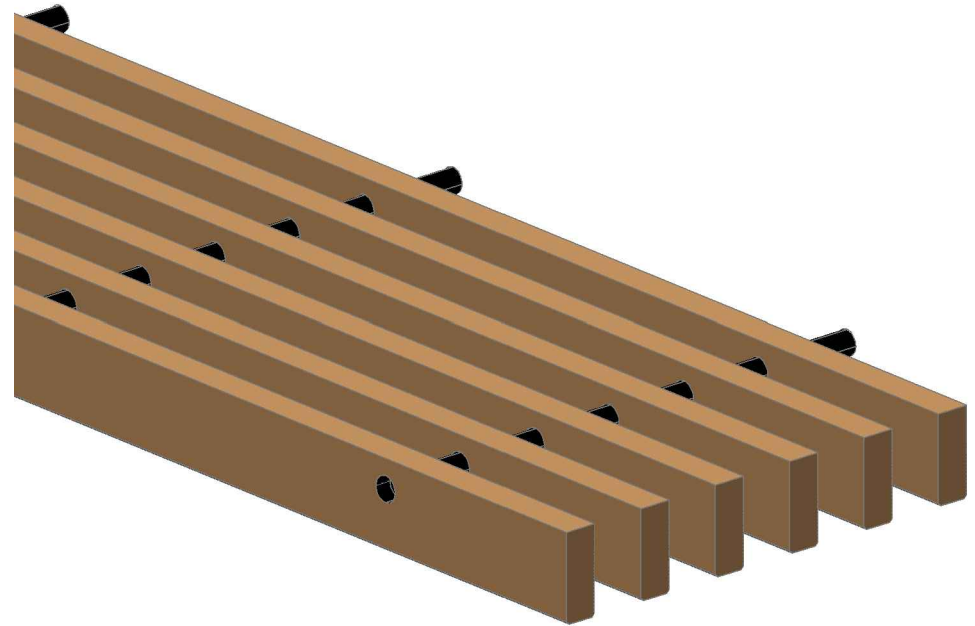
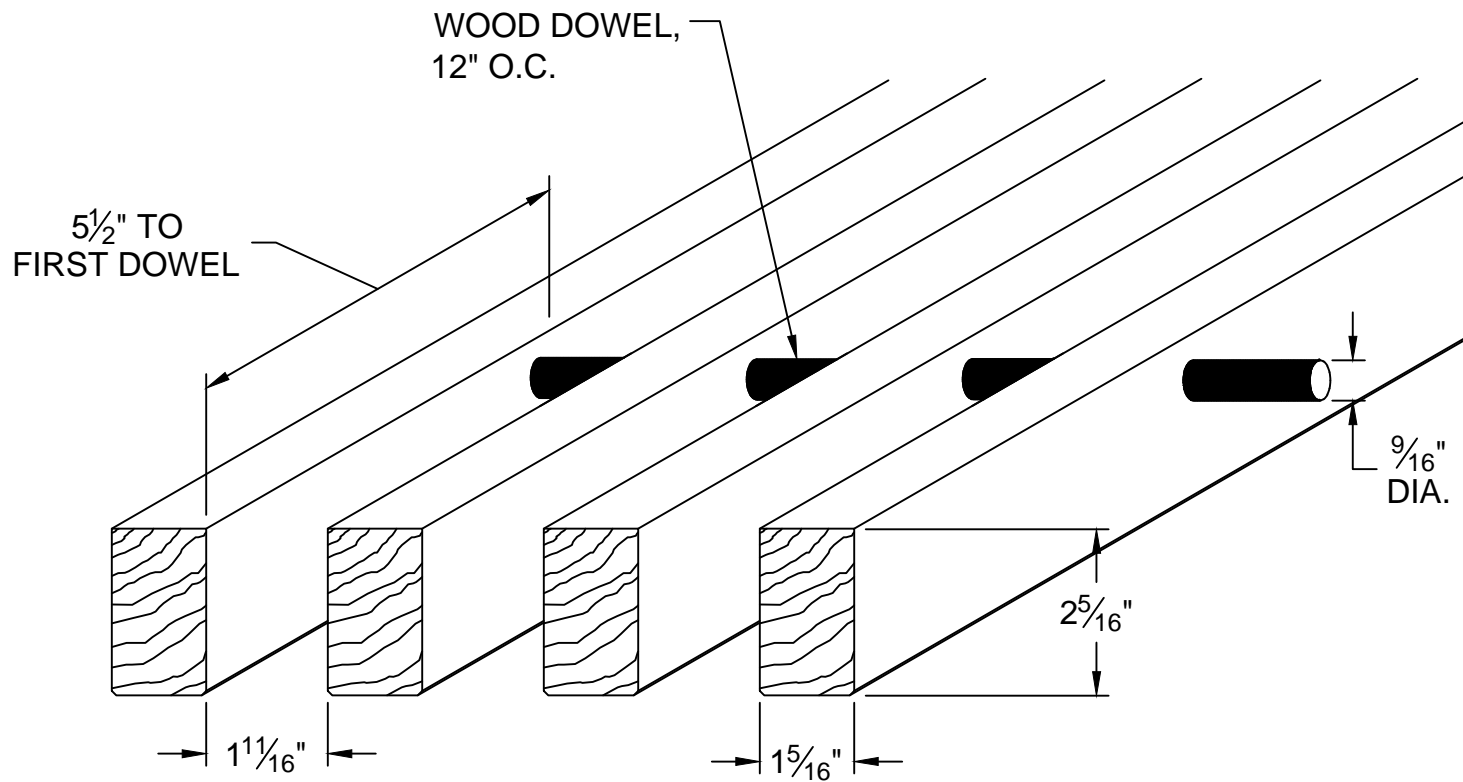


<u>DRAWING #</u>	<u>TITLE</u>
GDPXX001	Panel Grille Profile - PG 4-21-37D
GWPXX002	Panel Grille Profile - PG 4-35-12W
GBPXX003	Panel Grille Profile - PG 6-12-32D
GDPXX004	Panel Grille Profile - PG 6-12-37D
GDPXX005	Panel Grille Profile - PG 6-21-37D
GDPXX006	Panel Grille Profile - PG 8-12-18D
GDPXX007	Panel Grille Profile - PG 8-12-22D
GDPXX008	Panel Grille Profile - PG 8-12-32D
GDPXX009	Panel Grille Profile - PG 8-12-37D
GDPXX010	Panel Grille Profile - PG 10-12-18D
GDPXX011	Panel Grille Profile - PG 10-12-22D
GDPSX012	Panel Grille Profile - PG 6-12-32DS



Panel Grille Profile - PG 6-12-32D SHOWN

 RULON INTERNATIONAL	World Commerce Center 2000 Ring Way Road St. Augustine, FL 32092 Ph: 1-800-227-8566 904-584-1400 Fax: 904-584-1499 www.rulonco.com info@rulonco.com	PROJECT: TITLE: Panel Grille Profile Index	ISSUE DATE: REVISION DATE: MAY/13/2011	DRAWN BY: CAP CHECKED BY: TDA	PROJECT NUMBER: DRAWING NUMBER: GXPINDEX
---	--	--	---	--	---



NOTE: PANEL GRILLES ARE MANUFACTURED IN LENGTHS UP TO TEN FEET (10'), ONE INCH (1") UNDER THE FOOT (I.E., A 6' PANEL IS 5'-11" IN LENGTH.) BLADE DEPTH AND THICKNESS MAY VARY TO MEET PROJECT REQUIREMENTS



RULON INTERNATIONAL

World Commerce Center
2000 Ring Way Road
St. Augustine, FL 32092
Ph: 1-800-227-8566
904-584-1400
Fax: 904-584-1499
www.rulonco.com
info@rulonco.com

PROJECT:

TITLE:

Panel Grille Profile - PG 4-21-37D

ISSUE DATE:

REVISION DATE:

MAY/11/2011

DRAWN BY:

CAP

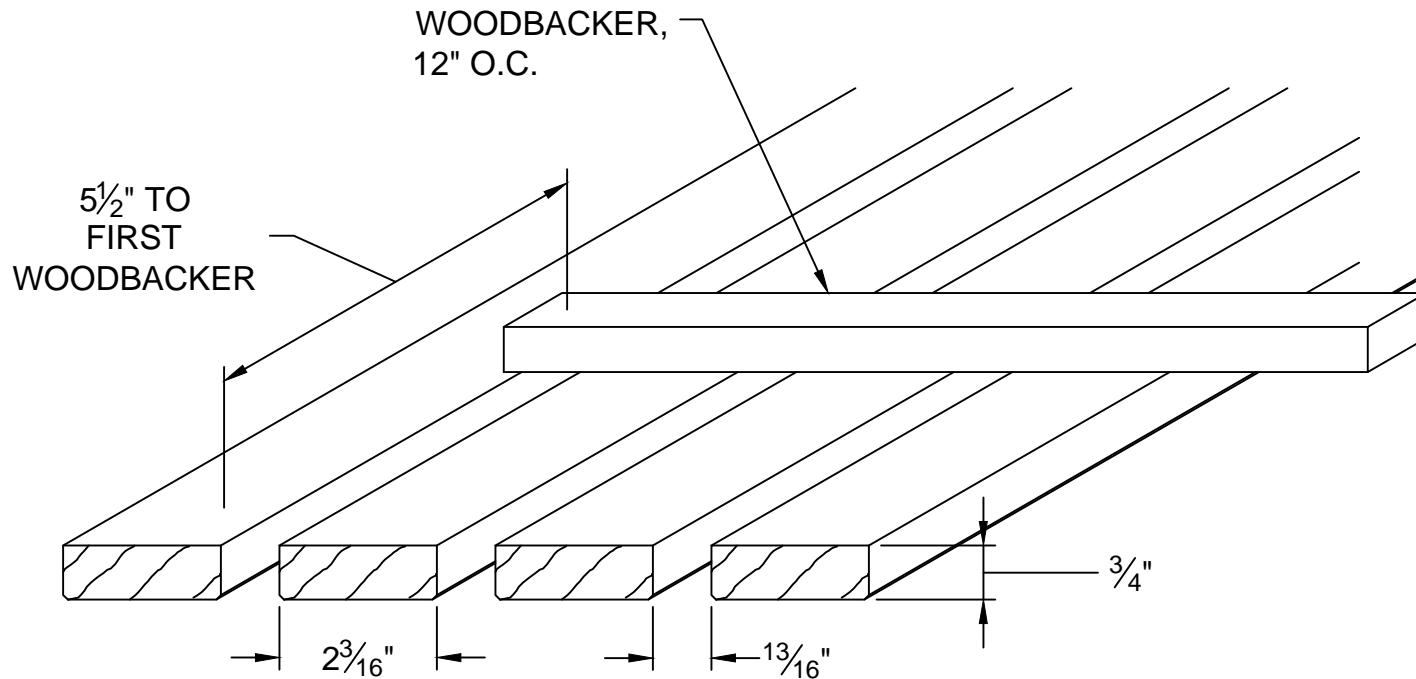
CHECKED BY:

TA

PROJECT NUMBER:

DRAWING NUMBER:

GDPXX001



NOTE: PANEL GRILLES ARE MANUFACTURED IN LENGTHS UP TO TEN FEET (10'), ONE INCH (1") UNDER THE FOOT (I.E., A 6' PANEL IS 5'-11" IN LENGTH.) BLADE DEPTH AND THICKNESS MAY VARY TO MEET PROJECT REQUIREMENTS



RULON INTERNATIONAL

World Commerce Center
2000 Ring Way Road
St. Augustine, FL 32092
Ph: 1-800-227-8566
904-584-1400
Fax: 904-584-1499
www.rulonco.com
info@rulonco.com

PROJECT:

TITLE:

Panel Grille Profile - PG 4-35-12W

ISSUE DATE:

REVISION DATE:

MAY/11/2011

DRAWN BY:

CAP

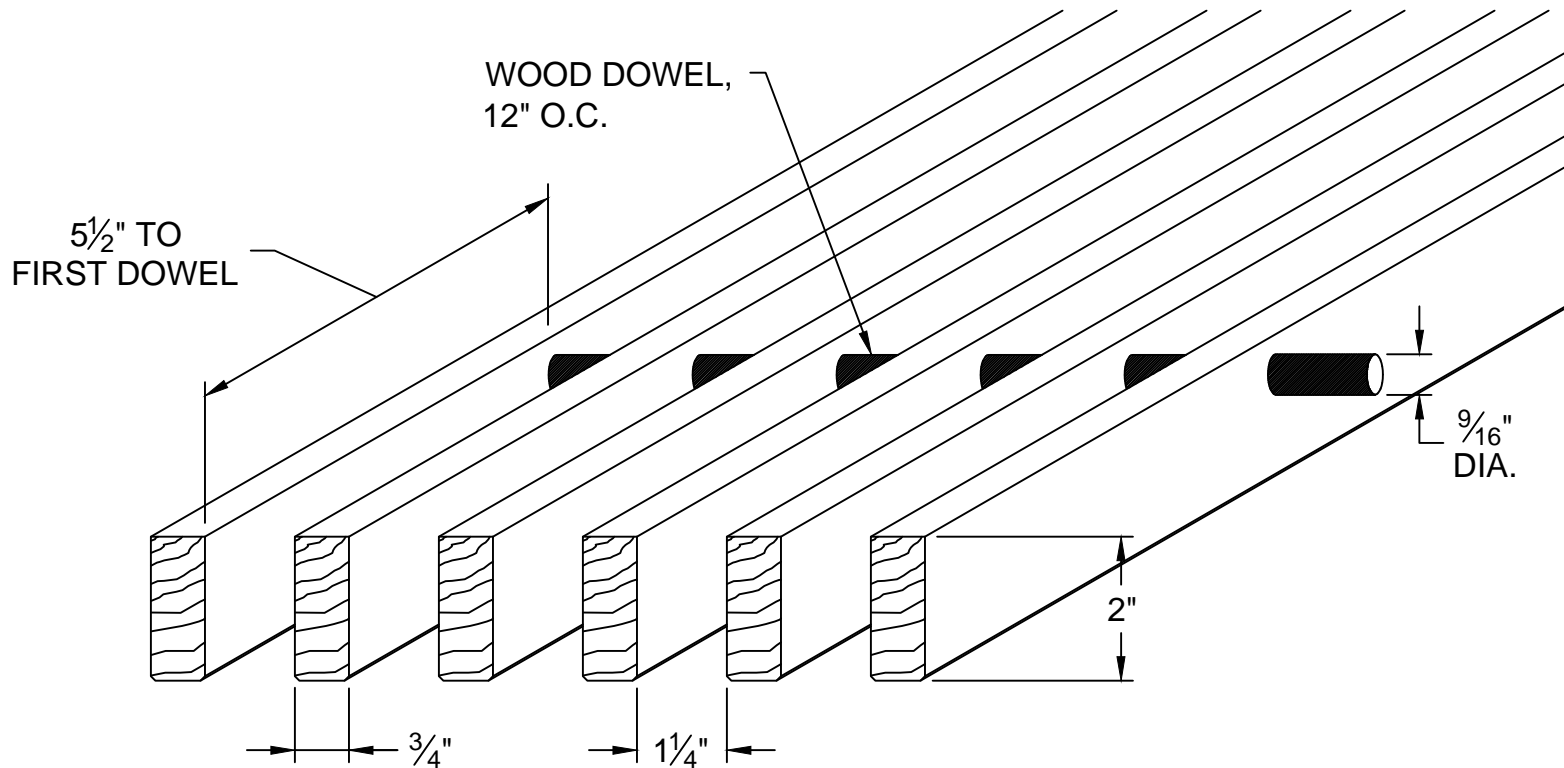
CHECKED BY:

TA

PROJECT NUMBER:

DRAWING NUMBER:

GWPXX002



NOTE: PANEL GRILLES ARE MANUFACTURED IN LENGTHS UP TO TEN FEET (10'), ONE INCH (1") UNDER THE FOOT (I.E., A 6' PANEL IS 5'-11" IN LENGTH.) BLADE DEPTH AND THICKNESS MAY VARY TO MEET PROJECT REQUIREMENTS



RULON INTERNATIONAL

World Commerce Center
2000 Ring Way Road
St. Augustine, FL 32092
Ph: 1-800-227-8566
904-584-1400
Fax: 904-584-1499
www.rulonco.com
info@rulonco.com

PROJECT:

TITLE:

Panel Grille Profile - PG 6-12-32D

ISSUE DATE:

REVISION DATE:

MAY/11/2011

DRAWN BY:

CAP

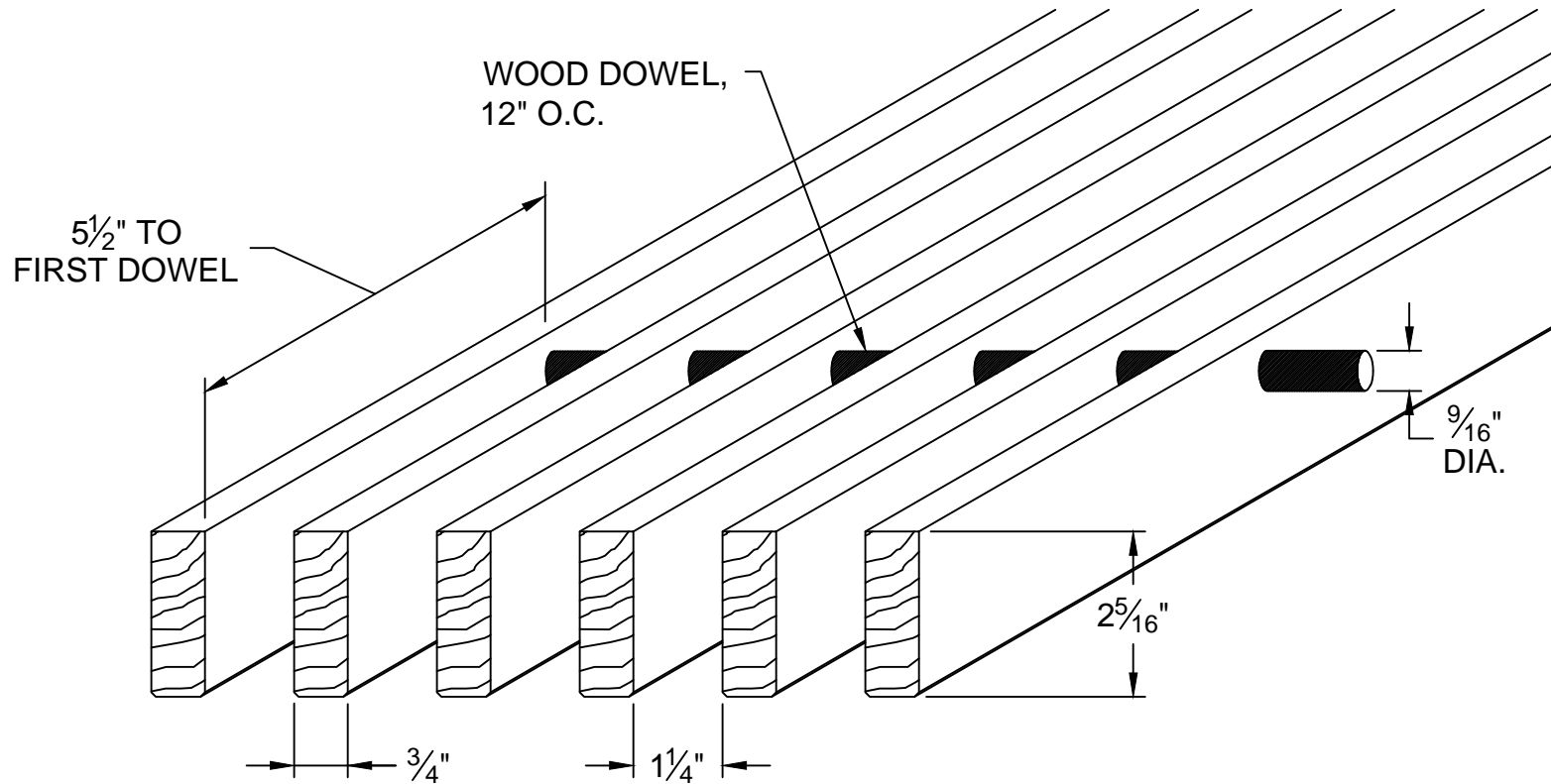
CHECKED BY:

TA

PROJECT NUMBER:

DRAWING NUMBER:

GDPXX003



NOTE: PANEL GRILLES ARE MANUFACTURED IN LENGTHS UP TO TEN FEET (10'), ONE INCH (1") UNDER THE FOOT (I.E., A 6' PANEL IS 5'-11" IN LENGTH.) BLADE DEPTH AND THICKNESS MAY VARY TO MEET PROJECT REQUIREMENTS



RULON INTERNATIONAL

World Commerce Center
2000 Ring Way Road
St. Augustine, FL 32092
Ph: 1-800-227-8566
904-584-1400
Fax: 904-584-1499
www.rulonco.com
info@rulonco.com

PROJECT:

TITLE:

Panel Grille Profile - PG 6-12-37D

ISSUE DATE:

REVISION DATE:

MAY/11/2011

DRAWN BY:

CAP

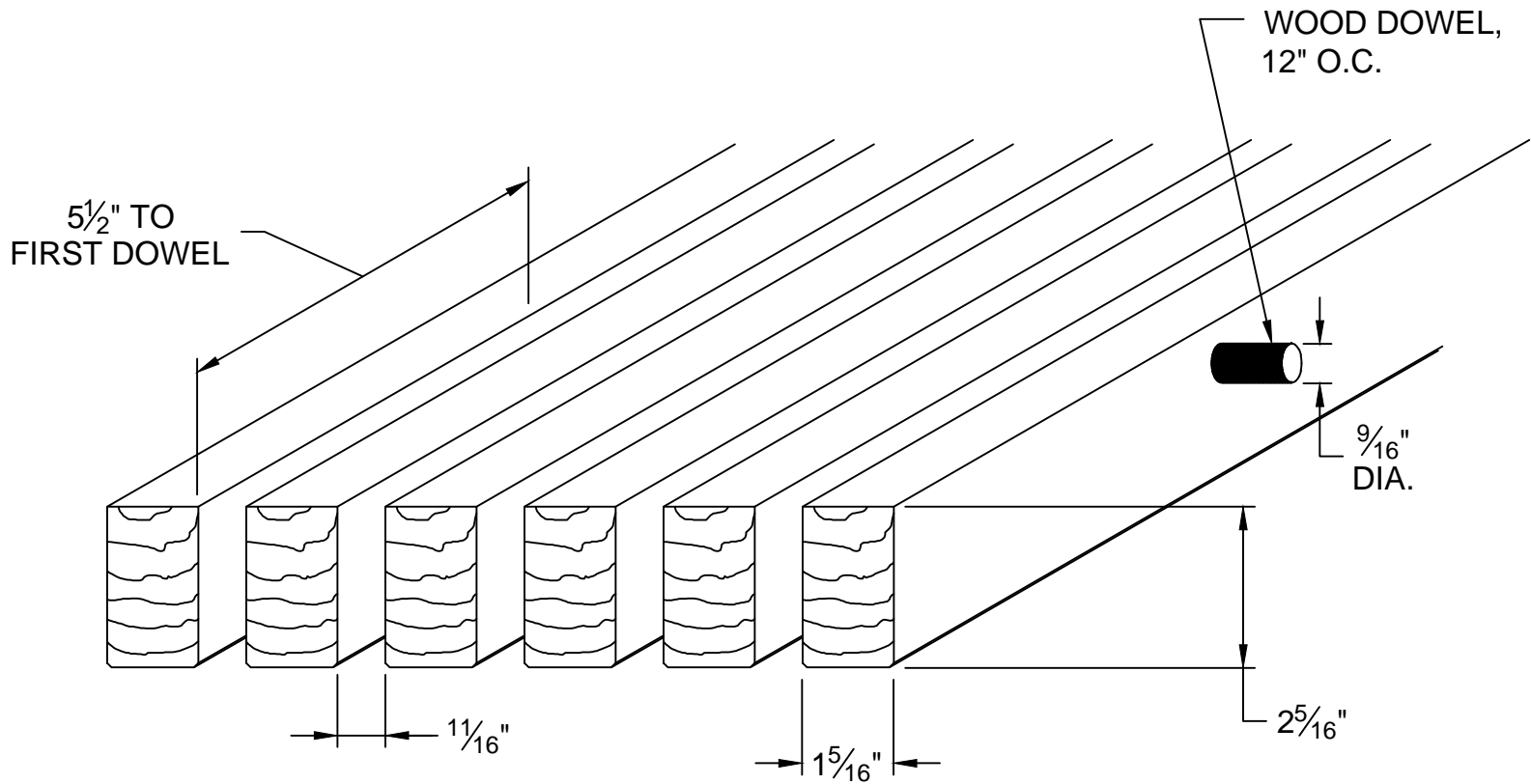
CHECKED BY:

TA

PROJECT NUMBER:

DRAWING NUMBER:

GDPXX004



NOTE: PANEL GRILLES ARE MANUFACTURED IN LENGTHS UP TO TEN FEET (10'), ONE INCH (1") UNDER THE FOOT (I.E., A 6' PANEL IS 5'-11" IN LENGTH.) BLADE DEPTH AND THICKNESS MAY VARY TO MEET PROJECT REQUIREMENTS



RULON INTERNATIONAL

World Commerce Center
 2000 Ring Way Road
 St. Augustine, FL 32092
 Ph: 1-800-227-8566
 904-584-1400
 Fax: 904-584-1499
 www.rulonco.com
 info@rulonco.com

PROJECT:

TITLE:

Panel Grille Profile - PG 6-21-37D

ISSUE DATE:

REVISION DATE:

MAY/11/2011

DRAWN BY:

CAP

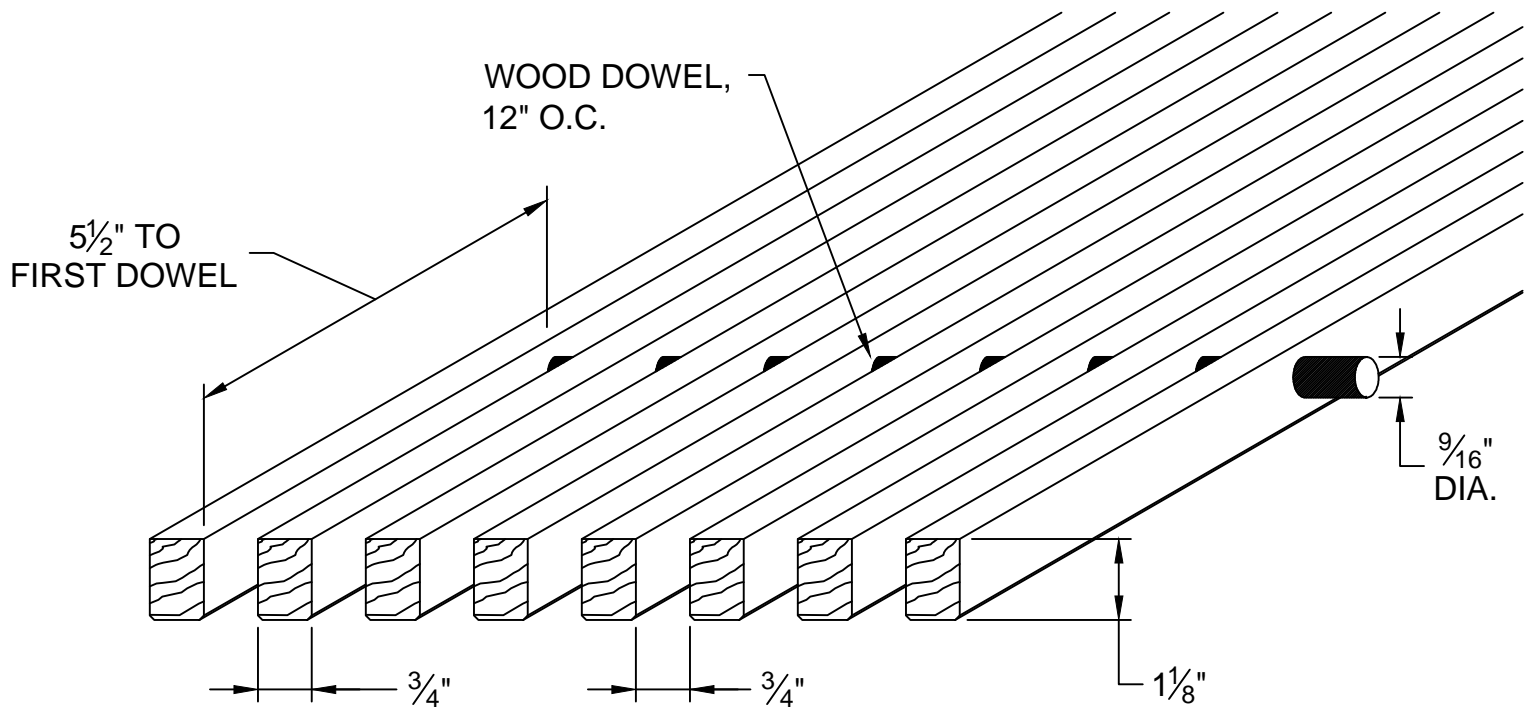
CHECKED BY:

TA

PROJECT NUMBER:

DRAWING NUMBER:

GDPXX005



NOTE: PANEL GRILLES ARE MANUFACTURED IN LENGTHS UP TO TEN FEET (10'), ONE INCH (1") UNDER THE FOOT (I.E., A 6' PANEL IS 5'-11" IN LENGTH.) BLADE DEPTH AND THICKNESS MAY VARY TO MEET PROJECT REQUIREMENTS



RULON INTERNATIONAL

World Commerce Center
 2000 Ring Way Road
 St. Augustine, FL 32092
 Ph: 1-800-227-8566
 904-584-1400
 Fax: 904-584-1499
 www.rulonco.com
 info@rulonco.com

PROJECT:

TITLE:

Panel Grille Profile - PG 8-12-18D

ISSUE DATE:

REVISION DATE:

MAY/11/2011

DRAWN BY:

CAP

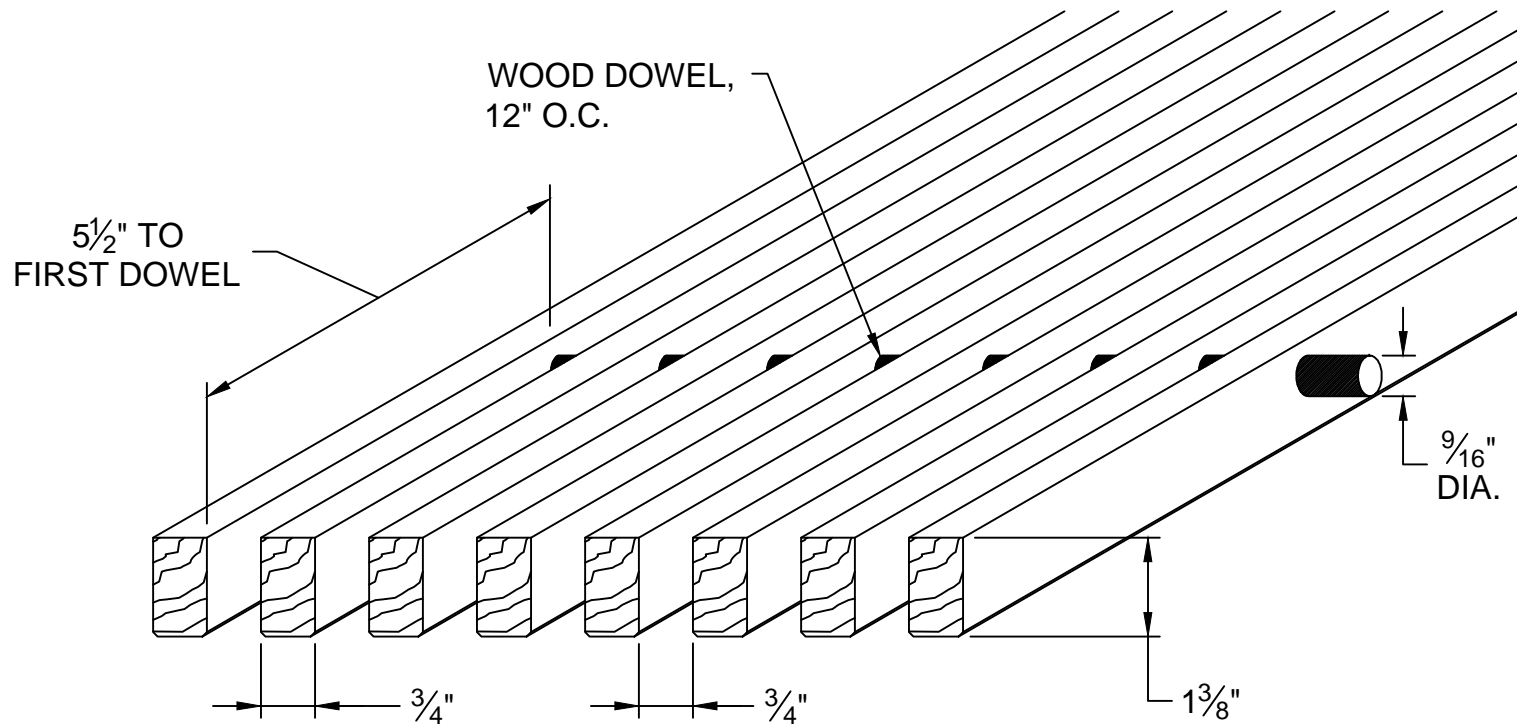
CHECKED BY:

TA

PROJECT NUMBER:

DRAWING NUMBER:

GDPXX006



NOTE: PANEL GRILLES ARE MANUFACTURED IN LENGTHS UP TO TEN FEET (10'), ONE INCH (1") UNDER THE FOOT (I.E., A 6' PANEL IS 5'-11" IN LENGTH.) BLADE DEPTH AND THICKNESS MAY VARY TO MEET PROJECT REQUIREMENTS



RULON INTERNATIONAL

World Commerce Center
2000 Ring Way Road
St. Augustine, FL 32092
Ph: 1-800-227-8566
904-584-1400
Fax: 904-584-1499
www.rulonco.com
info@rulonco.com

PROJECT:

TITLE:

Panel Grille Profile - PG 8-12-22D

ISSUE DATE:

REVISION DATE:

MAY/11/2011

DRAWN BY:

CAP

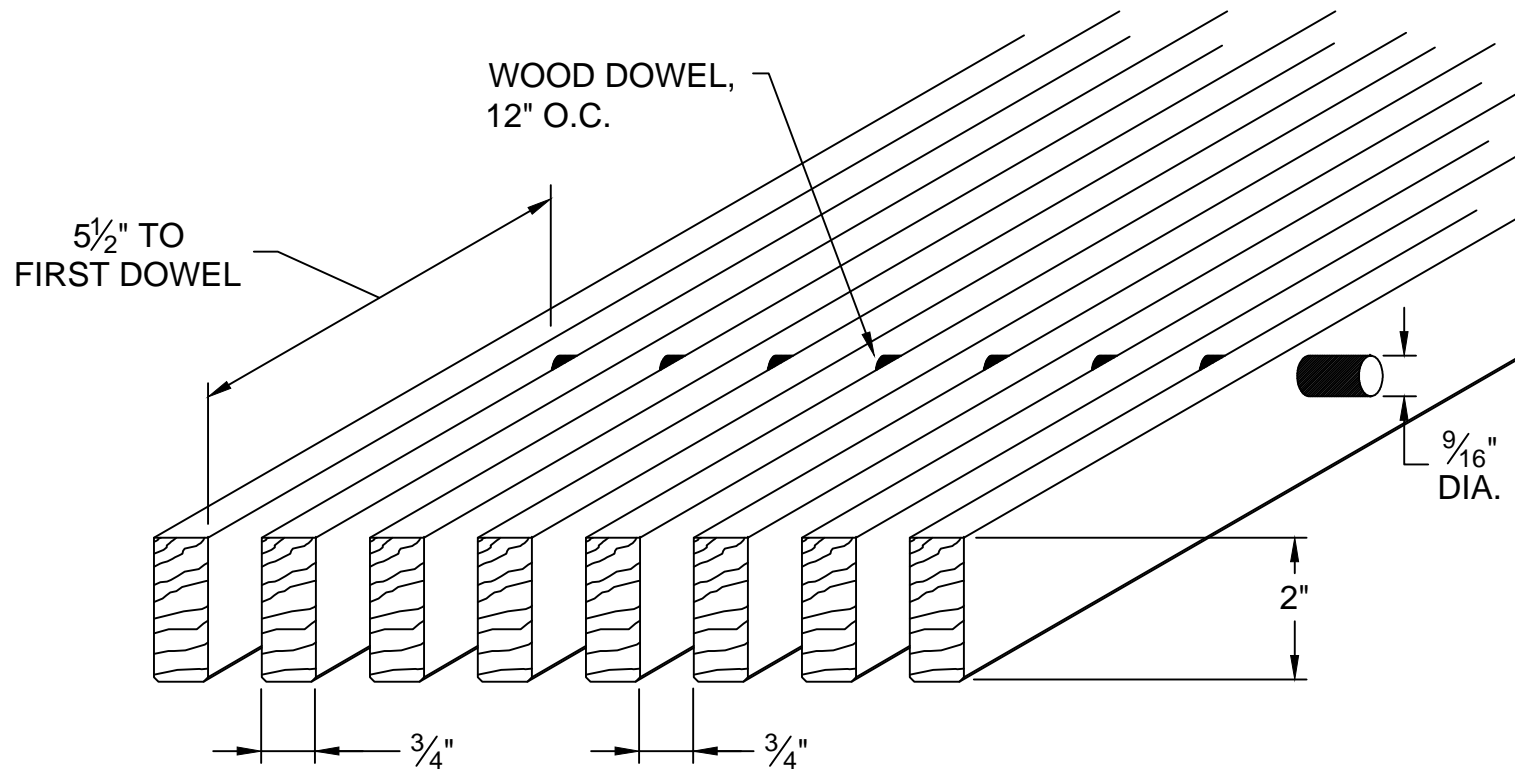
CHECKED BY:

TA

PROJECT NUMBER:

DRAWING NUMBER:

GDPXX007



NOTE: PANEL GRILLES ARE MANUFACTURED IN LENGTHS UP TO TEN FEET (10'), ONE INCH (1") UNDER THE FOOT (I.E., A 6' PANEL IS 5'-11" IN LENGTH.) BLADE DEPTH AND THICKNESS MAY VARY TO MEET PROJECT REQUIREMENTS



RULON INTERNATIONAL

World Commerce Center
2000 Ring Way Road
St. Augustine, FL 32092
Ph: 1-800-227-8566
904-584-1400
Fax: 904-584-1499
www.rulonco.com
info@rulonco.com

PROJECT:

TITLE:

Panel Grille Profile - PG 8-12-32D

ISSUE DATE:

REVISION DATE:

MAY/11/2011

DRAWN BY:

CAP

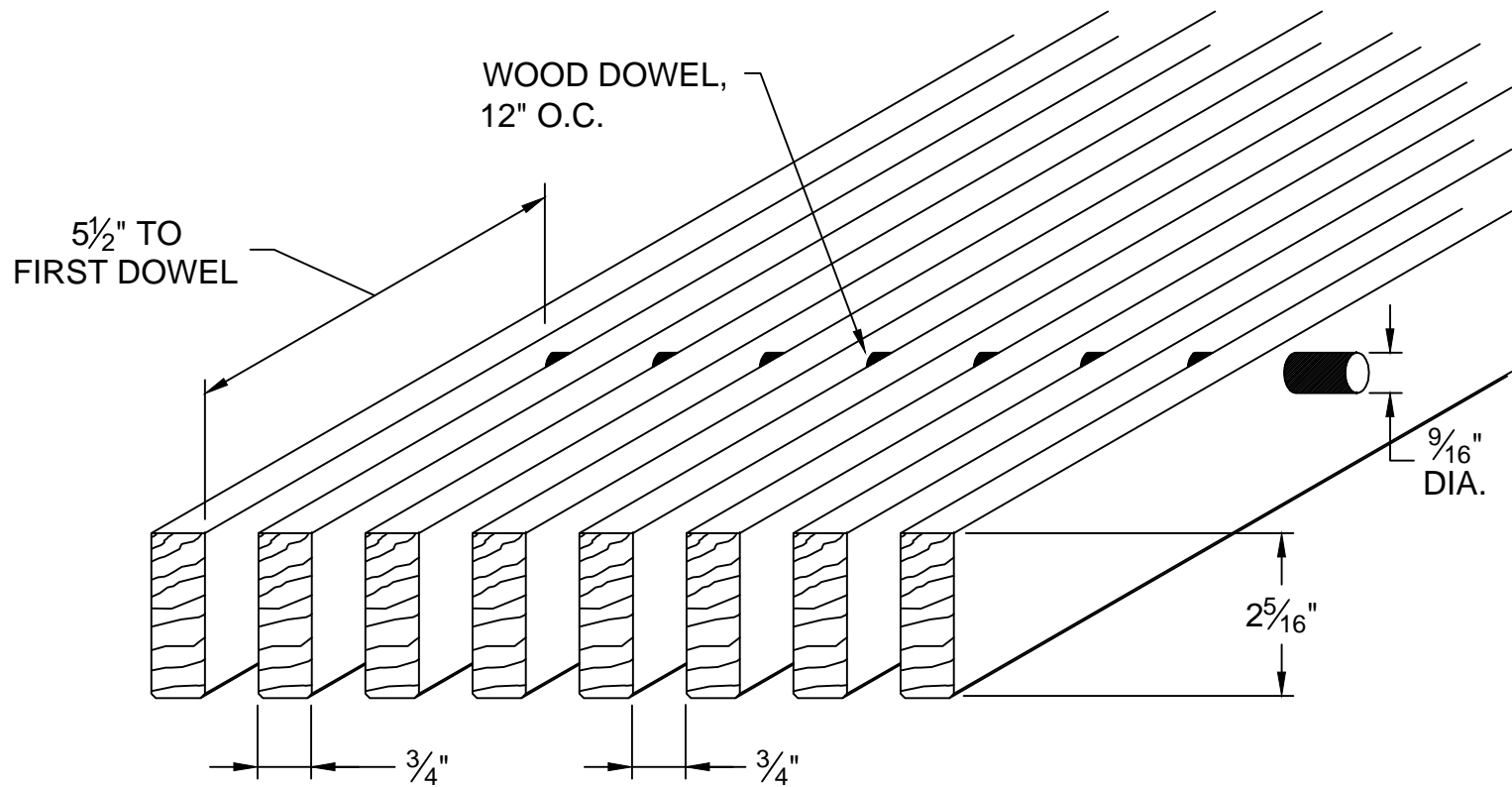
CHECKED BY:

TA

PROJECT NUMBER:

DRAWING NUMBER:

GDPXX008



NOTE: PANEL GRILLES ARE MANUFACTURED IN LENGTHS UP TO TEN FEET (10'), ONE INCH (1") UNDER THE FOOT (I.E., A 6' PANEL IS 5'-11" IN LENGTH.) BLADE DEPTH AND THICKNESS MAY VARY TO MEET PROJECT REQUIREMENTS



RULON INTERNATIONAL

World Commerce Center
2000 Ring Way Road
St. Augustine, FL 32092
Ph: 1-800-227-8566
904-584-1400
Fax: 904-584-1499
www.rulonco.com
info@rulonco.com

PROJECT:

TITLE:

Panel Grille Profile -
PG 8-12-37D

ISSUE DATE:

REVISION DATE:

MAY/11/2011

DRAWN BY:

CAP

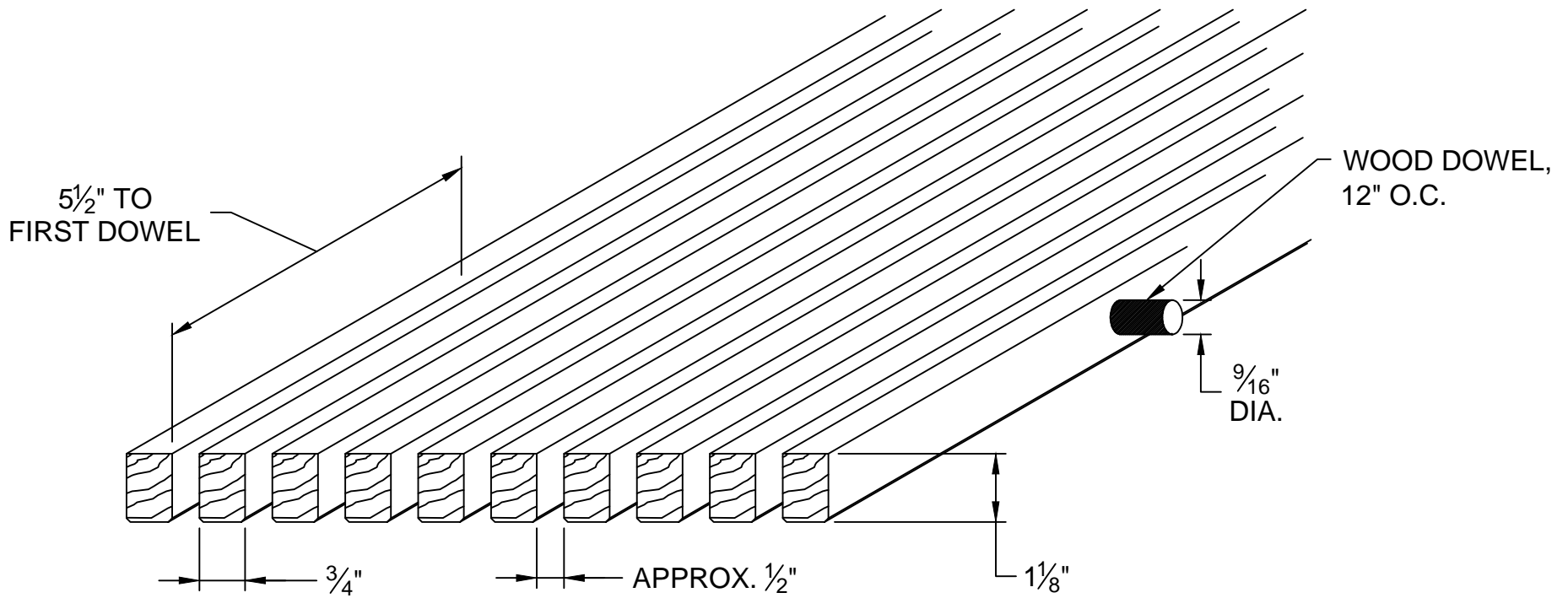
CHECKED BY:

TA

PROJECT NUMBER:

DRAWING NUMBER:

GDPXX009



NOTE: PANEL GRILLES ARE MANUFACTURED IN LENGTHS UP TO TEN FEET (10'), ONE INCH (1") UNDER THE FOOT (I.E., A 6' PANEL IS 5'-11" IN LENGTH.) BLADE DEPTH AND THICKNESS MAY VARY TO MEET PROJECT REQUIREMENTS



RULON INTERNATIONAL

World Commerce Center
 2000 Ring Way Road
 St. Augustine, FL 32092
 Ph: 1-800-227-8566
 904-584-1400
 Fax: 904-584-1499
 www.rulonco.com
 info@rulonco.com

PROJECT:

TITLE:

**Panel Grille Profile -
 PG 10-12-18D**

ISSUE DATE:

REVISION DATE:

MAY/11/2011

DRAWN BY:

CAP

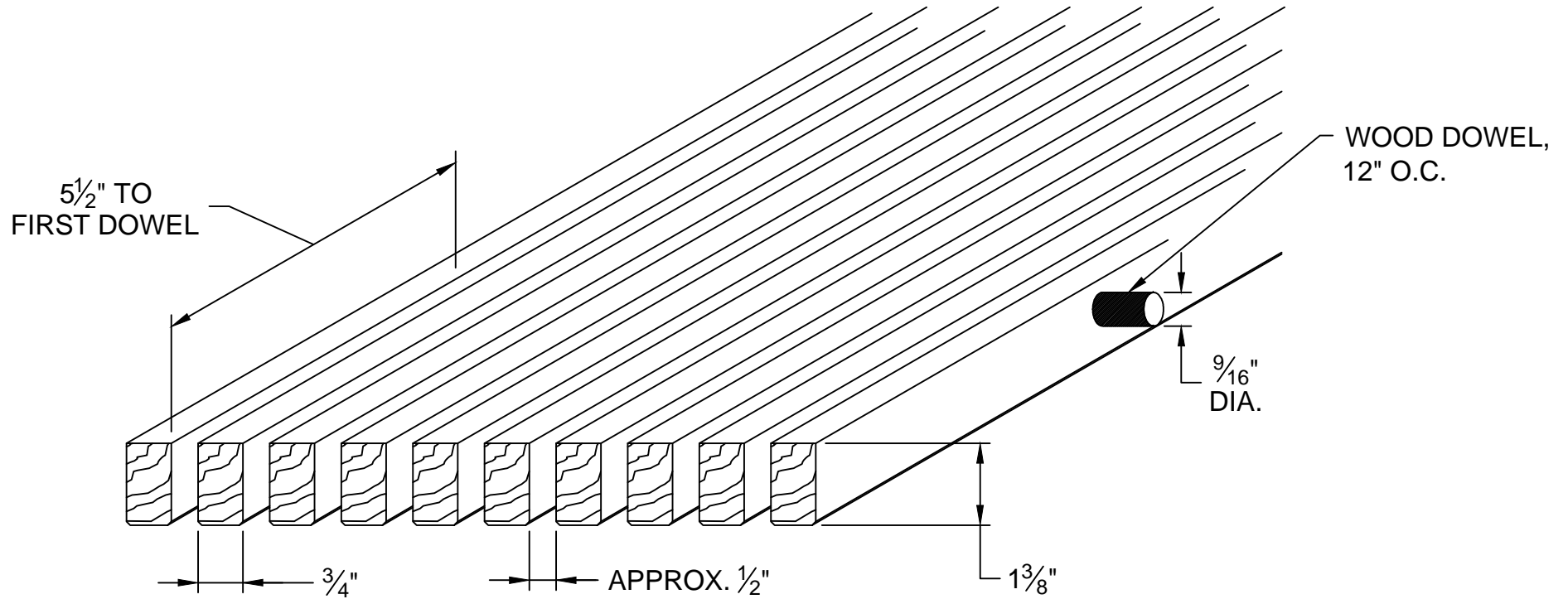
CHECKED BY:

TA

PROJECT NUMBER:

DRAWING NUMBER:

GDPXX010



NOTE: PANEL GRILLES ARE MANUFACTURED IN LENGTHS UP TO TEN FEET (10'), ONE INCH (1") UNDER THE FOOT (I.E., A 6' PANEL IS 5'-11" IN LENGTH.) BLADE DEPTH AND THICKNESS MAY VARY TO MEET PROJECT REQUIREMENTS



RULON INTERNATIONAL

World Commerce Center
 2000 Ring Way Road
 St. Augustine, FL 32092
 Ph: 1-800-227-8566
 904-584-1400
 Fax: 904-584-1499
 www.rulonco.com
 info@rulonco.com

PROJECT:

TITLE:

Panel Grille Profile -
 PG 10-12-22D

ISSUE DATE:

REVISION DATE:

MAY/11/2011

DRAWN BY:

CAP

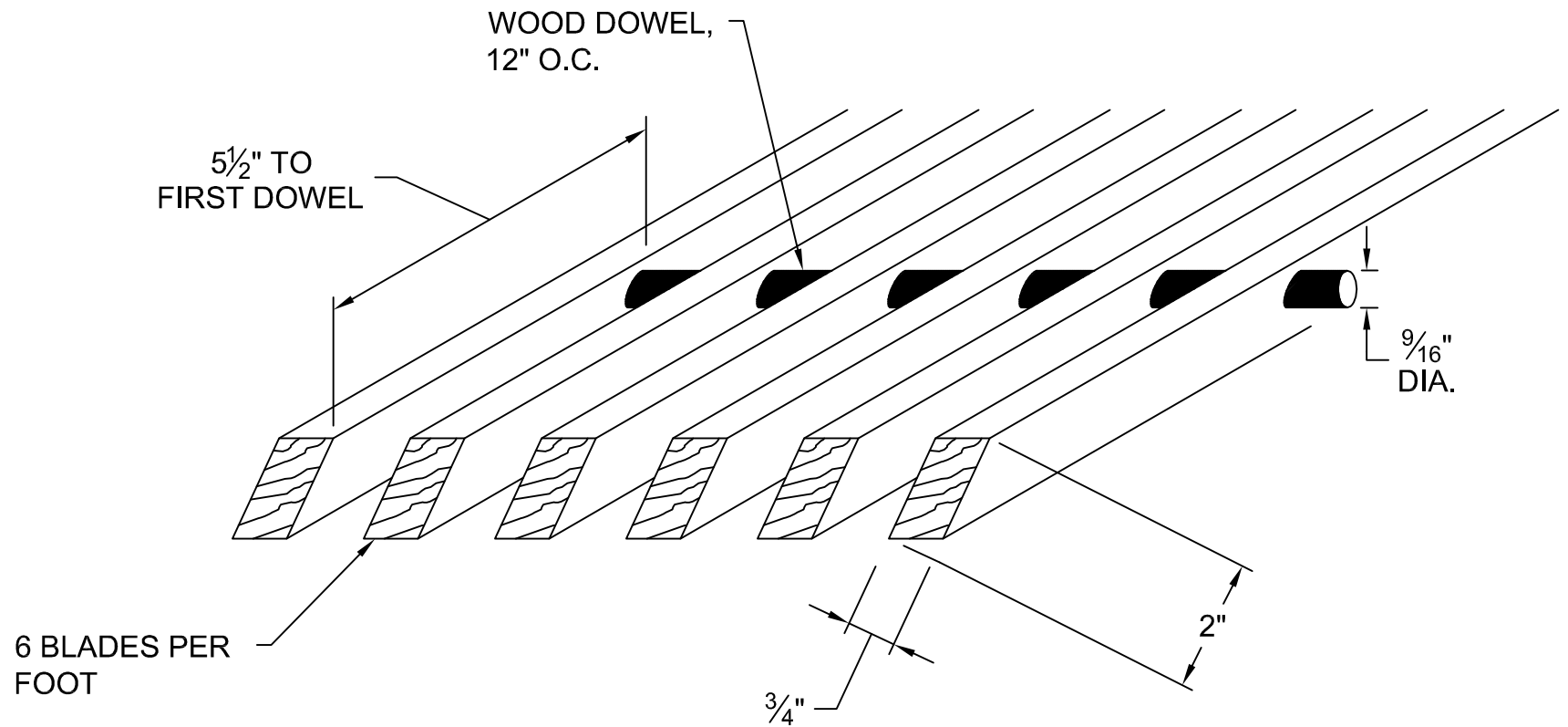
CHECKED BY:

TA

PROJECT NUMBER:

DRAWING NUMBER:

GDPXX011



NOTE: PANEL GRILLES ARE MANUFACTURED IN LENGTHS UP TO TEN FEET (10'), ONE INCH (1") UNDER THE FOOT (I.E., A 6' PANEL IS 5'-11" IN LENGTH.) BLADE DEPTH AND THICKNESS MAY VARY TO MEET PROJECT REQUIREMENTS



RULON INTERNATIONAL

World Commerce Center
2000 Ring Way Road
St. Augustine, FL 32092
Ph: 1-800-227-8566
904-584-1400
Fax: 904-584-1499
www.rulonco.com
info@rulonco.com

PROJECT:

TITLE: **Panel Grille Profile -
PG 6-12-32DS Slanted**

ISSUE DATE:

REVISION DATE:
MAY/11/2011

DRAWN BY:

CAP

CHECKED BY:

TDA

PROJECT NUMBER:

DRAWING NUMBER:

GDPSX012