



RULON INTERNATIONAL

Panel Grille
Suspended Ceiling
Installation Guide

Rulon Suspended Panel Grille Wood Ceiling Installation Guide

Receipt and Storage:

- a. All material shall be delivered to the project site in the original, labeled, unopened packages. Keep packages of components unopened until it is time to acclimate to the building conditions
- b. Material shall be stored flat and level in a fully enclosed space. **DO NOT Store Rulon products in direct sunlight.** Seventy-two hours before beginning ceiling installation, wood strips must be moved into the room where the HVAC system is operating and the packaging shall be opened. This is to allow the boards to adjust to the room environment. Wood strips are to be stored off the floor.
- c. Care in handling must be exercised to avoid damage.

Before You Begin Installation:

- a. Ensure that all necessary tools are available (see below)
- b. Check Ceiling components to ensure all items required are at hand (see Page 2)
- c. Review this guide in its entirety. If you have any questions, call Rulon Company before you start the installation

If You Need Further Assistance:

- If you have any questions, or if you encounter a situation not covered by this installation guide, contact the Rulon Technical Department.

Phone: 1-800-22RULON (1-800-227-8566)

Fax: 1-904-584-1499

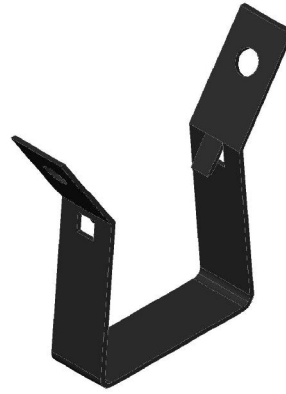
Tools and Equipment:

- Standard leveling devices
- Saber saw
- Miter saw (see specifications on page 8)
- Nail gun

Rulon Suspended Panel Grille Wood Ceiling Installation Guide



Dowel Clip



Woodbacker Clip

Ceiling Components:

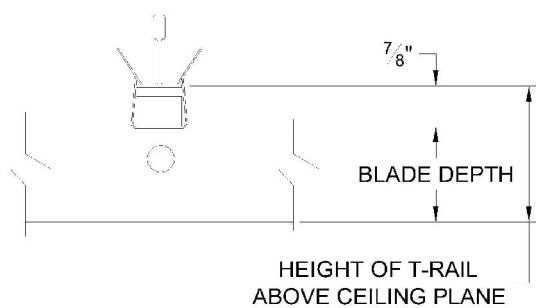
Supplied by Rulon:

- Panel Grilles
- Dowel Clips or Woodbacker Clips
- Trim (when specified)
- Touch-up finish

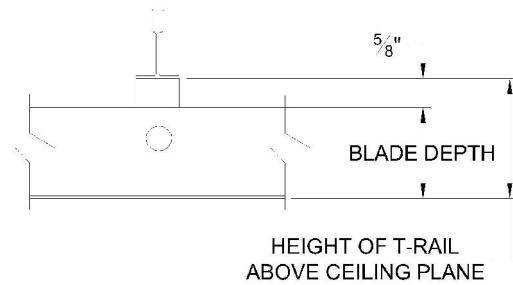
Supplied by Others:

- #12-Gauge wire
- 15/16" Heavy Duty Grid
- Hanger Inserts
- Acoustical Blanket (when specified)

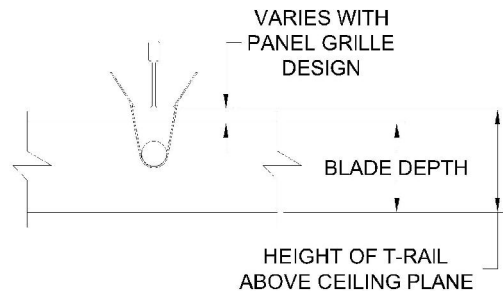
Rulon Suspended Panel Grille Wood Ceiling Installation Guide



Woodbacker Clip Attachment



Direct Screw Attachment



Dowel Clip Attachment

Step 1: T-Rail Installation

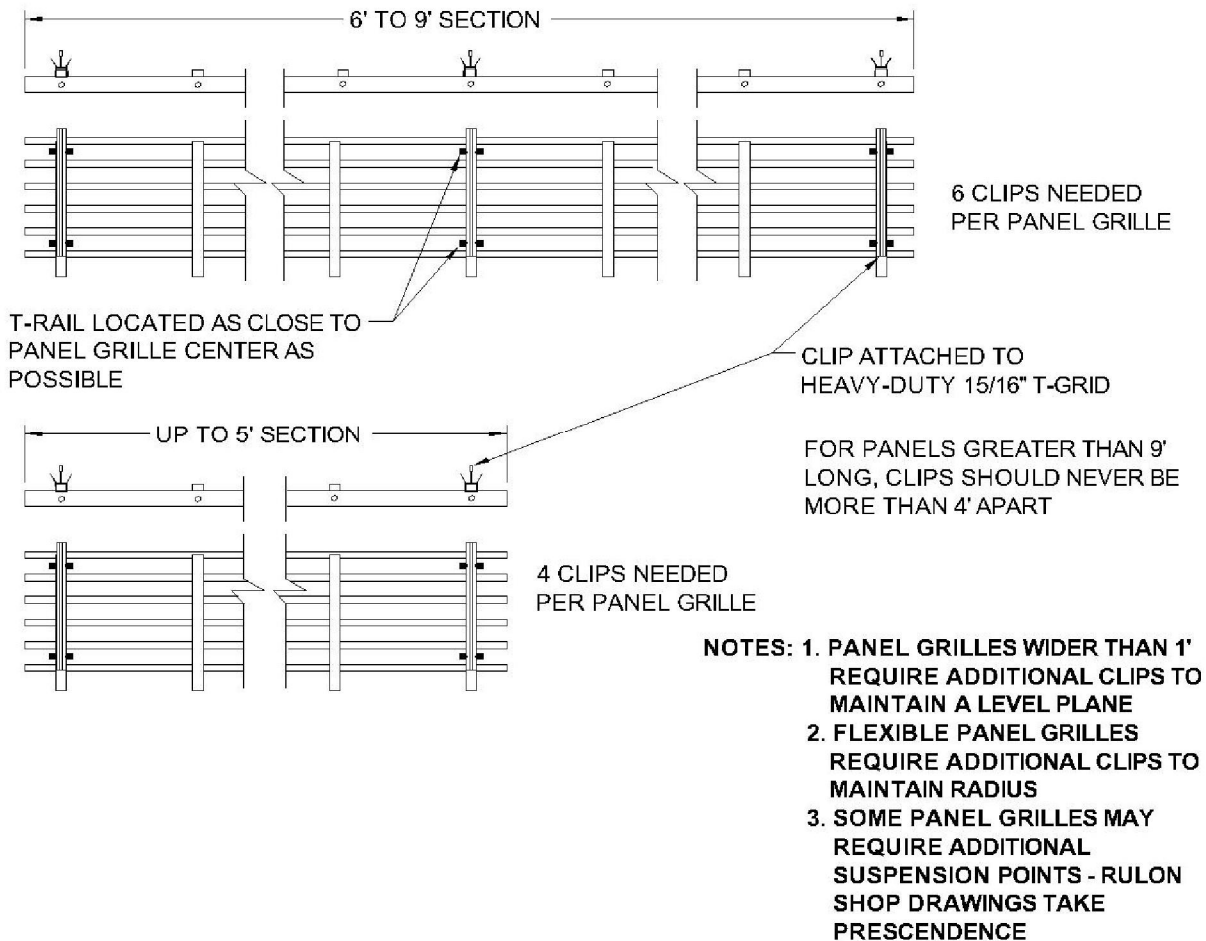
Establish the ceiling height with laser, water-level, or other appropriate method. Mark location. Install border material (if specified) at required height. Note clearances above. For dowel clip attachment, see shop drawings for clearance required or contact the Rulon technical department.

Mark T-Rail locations. T-Rails are located to align with dowels/woodbackers, starting with the dowel or backer strip nearest to the end. T-Rail will run perpendicular to the direction of the wood strips.

Install hanger inserts (i.e. screw eyes, star anchors, or eye pins shot or hammered into ceiling or clips attached to beam flanges) at 4' O.C. along T-Rails. Hang #12-ga. wire from the inserts.

Hang T-Rails from ceiling hangers. Level. Attach T-Rail at wall by pop-riveting into wall angle (see page 8).

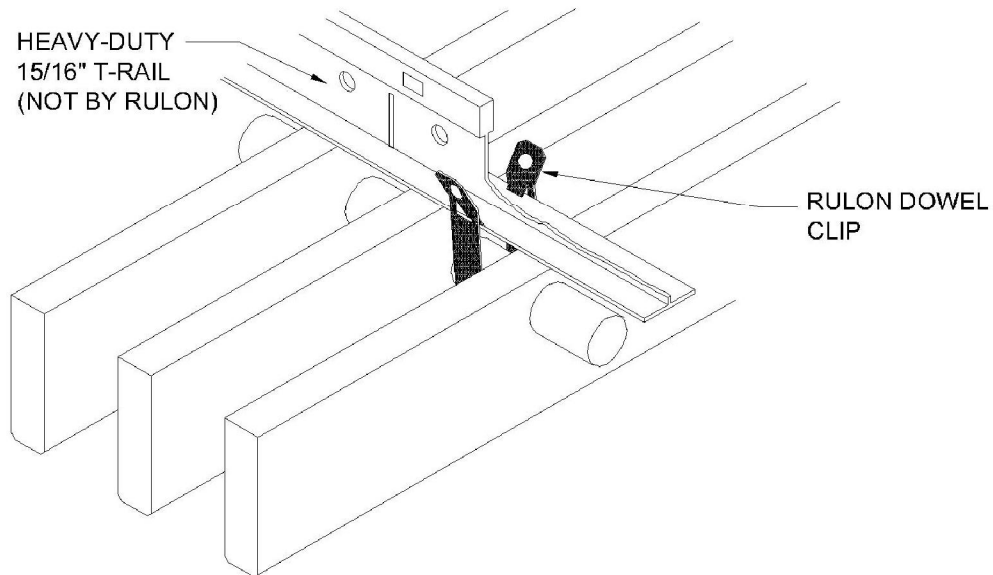
Rulon Suspended Panel Grille Wood Ceiling Installation Guide



Step 1A: T-Rail Location

T-Rails shall be located a maximum of 4' On Center for most Panel Grille applications. There are exceptions such as radius applications, panels wider than 1', and some select profiles. Please refer to to Rulon shop drawings for such cases.

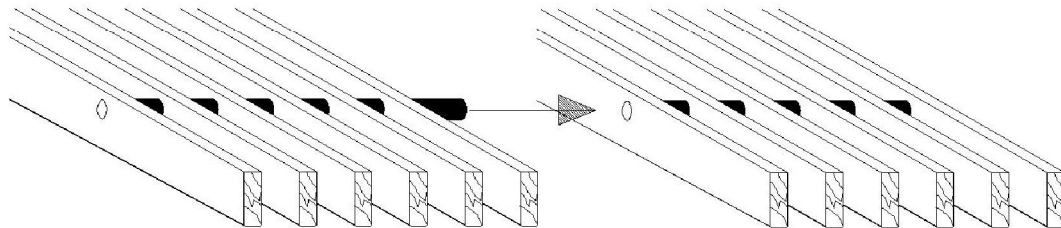
Rulon Suspended Panel Grille Wood Ceiling Installation Guide



Step 2: Panel Grille Attachment

Beginning at one wall, connect the first panel grille to the T-Rails. Dowel clips, woodbacker clips, or direct screw attachment shall be used to attach the panel grilles to the T-Rail. A clip shall be placed around the appropriate dowel or woodbacker, and pushed upward to engage the clip tabs onto the T-Rail flanges. (Dowel clip attachment is shown above. Woodbacker clip attachment is similar.)

Rulon Suspended Panel Grille Wood Ceiling Installation Guide



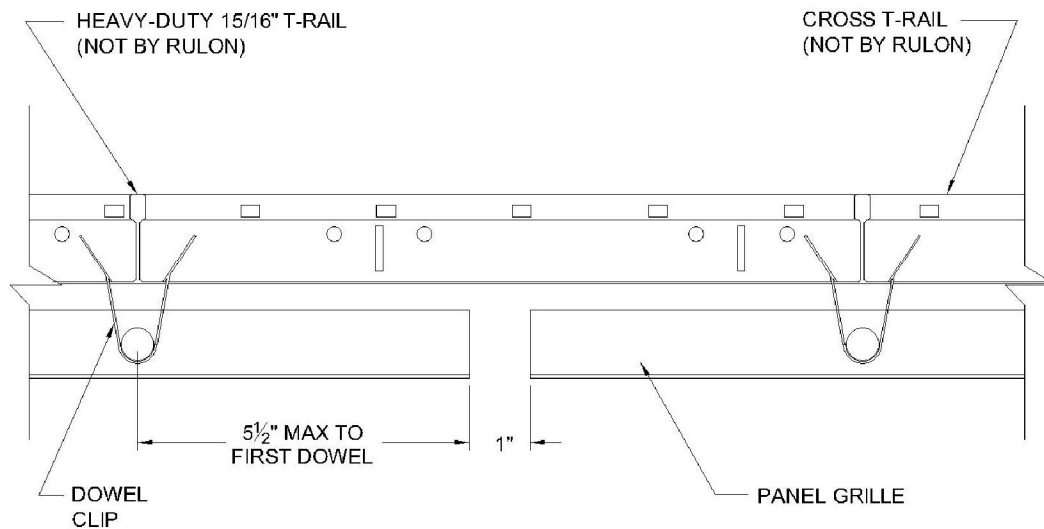
Step 3: Panel Grille Installation Sequence

Panel grilles shall be installed in sequence, from one side of the room to the other. The first panel grill will be positioned with the female side toward the wall. The panel grilles shall be initially suspended with a clip at each of the four corners. Intermediate clips can then be more readily added. Panel grilles should be added – female to male across the room.

Note:

When an acoustical blanket is to be installed, it should be placed behind the ceiling as the installation progresses.

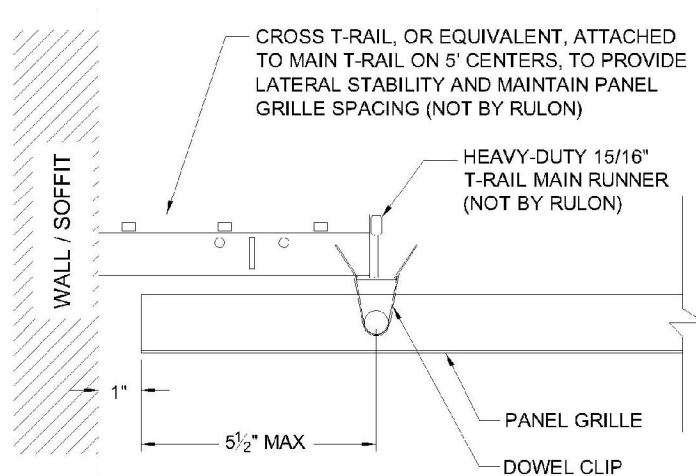
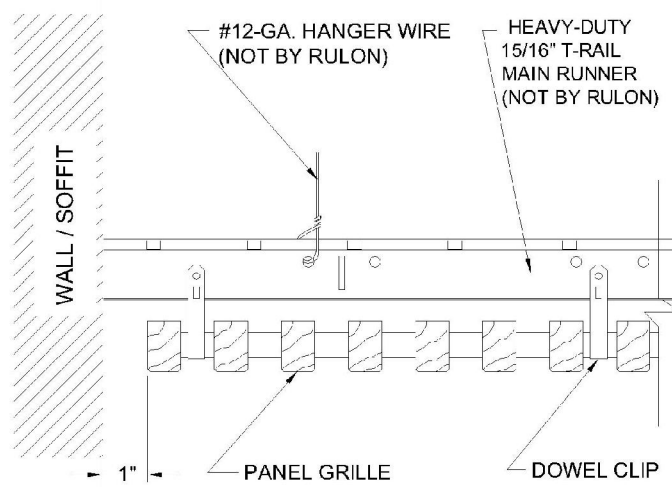
Rulon Suspended Panel Grille Wood Ceiling Installation Guide



Step 4: Layout of Reveals

Unless otherwise specified and/or detailed in the shop drawings, as each succeeding row of panel grilles is added, a 1" reveal shall be maintained allowing the use of standard 1' cross tees between main T-Rails. (Dowel clip attachment is shown above, woodbacked panel grille reveal spacing is similar.)

Rulon Suspended Panel Grille Wood Ceiling Installation Guide



Step 5: Perimeters

Unless otherwise specified and/or detailed on the shop drawings, perimeter panels typically maintain a target 1" reveal at the perimeter. If cutting is required, it is recommended to scribe and cut with a sliding miter saw with a fine-tooth carbide finish blade. It is important that the blade is new. **Use provided touch-up finish to seal the cut ends of all panels.**

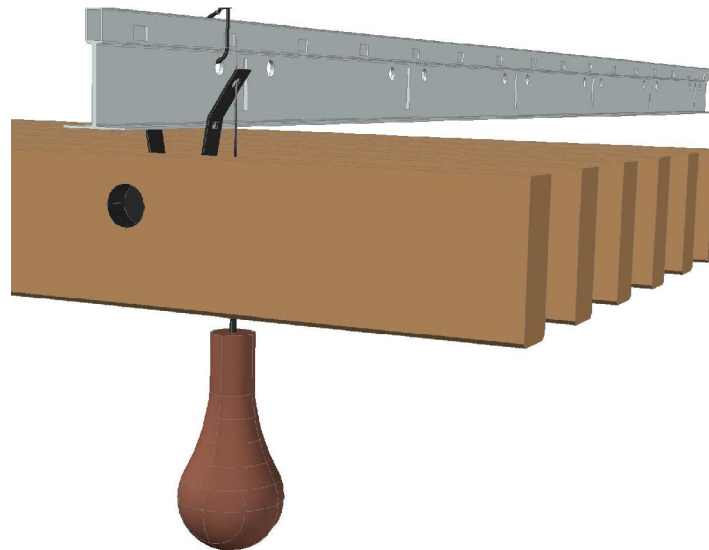
Rulon Suspended Panel Grille Wood Ceiling Installation Guide

Step 6: Cleanup

- a. Make final adjustments to level or contours.
- b. Clean all wood blades and borders free of dirt, dust, grease, oils, and fingerprints. Refer to the Rulon Care and Maintenance document for further instructions.
- c. Remove and replace all work that cannot be successfully cleaned or repaired.

Rulon Suspended Panel Grille Wood Ceiling Installation Guide

Removal



Use an awl or small screw driver to insert tip into the hole in the dowel or woodbacker clip. Lift panel slightly to disengage and torque the leg of clip to facilitate removal.

