



**RULON INTERNATIONAL**

Panelized Linear Open  
Suspended Ceiling  
Installation Guide

# Rulon Suspended Panelized Linear Open Wood Ceiling Install Guide

## **Receipt and Storage:**

- a. All material shall be delivered to the project site in the original, labeled, unopened packages. Keep packages of components unopened until it is time to acclimate to the building conditions
- b. Material shall be stored flat and level in a fully enclosed space. **DO NOT Store Rulon products in direct sunlight.** Seventy-two hours before beginning ceiling installation, wood strips must be moved into the room where the HVAC system is operating and the packaging shall be opened. This is to allow the boards to adjust to the room environment. Wood strips are to be stored off the floor.
- c. Care in handling must be exercised to avoid damage.

## **Before You Begin Installation:**

- a. Ensure that all necessary tools are available (see below)
- b. Check Ceiling components to ensure all items required are at hand (see Page 2)
- c. Review this guide in its entirety. If you have any questions, call Rulon Company before you start the installation

## **If You Need Further Assistance:**

- If you have any questions, or if you encounter a situation not covered by this installation guide, contact the Rulon Technical Department.

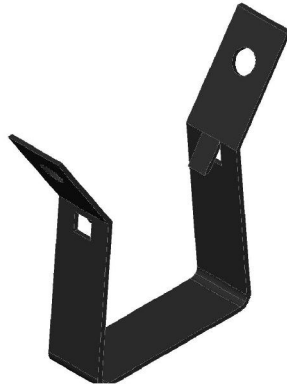
Phone: 1-800-22RULON (1-800-227-8566)

Fax: 1-904-584-1499

## **Tools and Equipment:**

- Standard leveling devices
- Saber saw
- Miter saw (see specifications on page 6)
- Nail gun

# Rulon Suspended Panelized Linear Open Wood Ceiling Install Guide



Woodbacker Clip

## **Ceiling Components:**

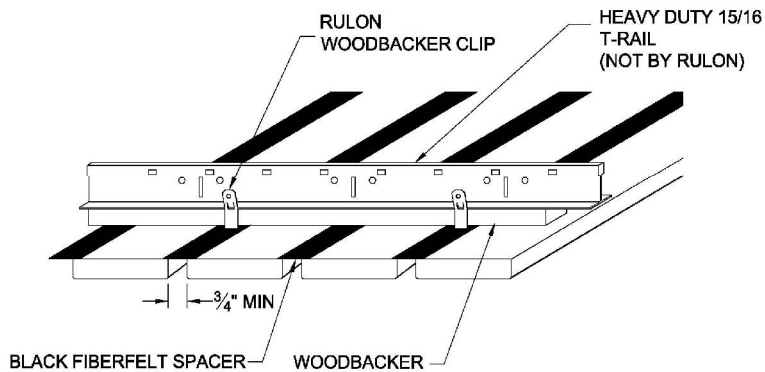
### **Supplied by Rulon:**

- Panelized Linear Panels (felt or hardboard spacer optional)
- Woodbacker Clips (if required)
- Trim (when specified)
- Touch-up finish

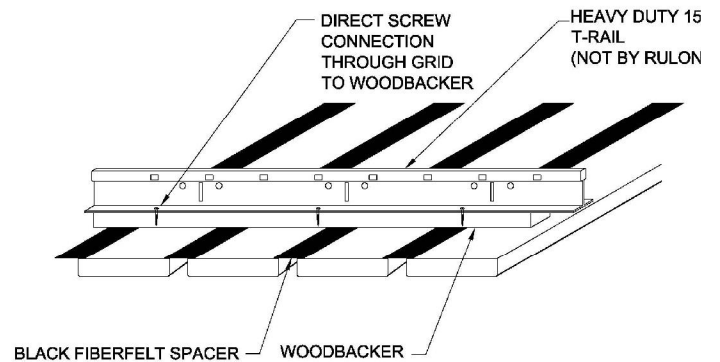
### **Supplied by Others:**

- #12-Gauge wire
- 15/16" Heavy-Duty Grid
- Hanger Inserts
- Acoustical Blanket (when specified)

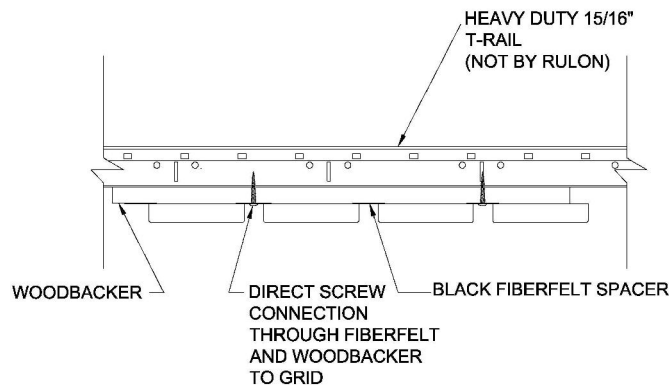
# Rulon Suspended Panelized Linear Open Wood Ceiling Install Guide



Woodbacker Clip Attachment



Direct Screw from Above



Direct Screw from Below

## Step 1: T-Rail Installation

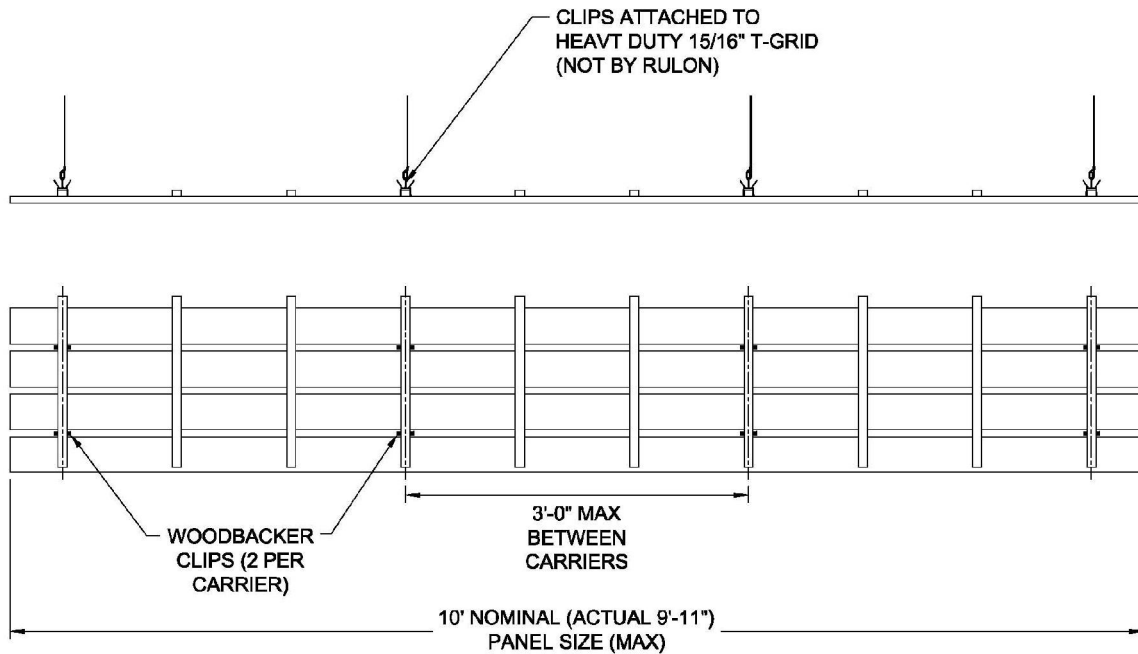
Establish the ceiling height with laser level, or other appropriate method. Mark location. Install border material (if specified) at required height. Note clearances above.

Mark T-Rail locations. T-Rails are located to align with woodbackers, starting with the backer strip nearest to the end. T-Rail will run perpendicular to the direction of the wood strips.

Install hanger inserts (i.e. screw eyes, star anchors, or eye pins shot or hammered into ceiling or clips attached to beam flanges) at 4' O.C. along T-Rails. Hang #12-ga. wire from the inserts.

Hang T-Rails from ceiling hangers. Level. See page 6 for ceiling heights/clearances.

# Rulon Suspended Panelized Linear Open Wood Ceiling Install Guide



## **Step 1A: T-Rail Location**

T-Rails shall be located a maximum of 3' On Center for most Panelized Linear applications. There are exceptions such as radius applications. Please refer to Rulon shop drawings for such cases.

## **Step 2: Panel Grille Attachment**

Beginning at one wall, connect the first panel to the T-Rails. Woodbacker clips or direct screw attachment shall be used to attach the panel grilles to the T-Rail. A clip shall be placed around the appropriate woodbacker, and punched upward to engage the clip tabs onto the T-Rail flanges.

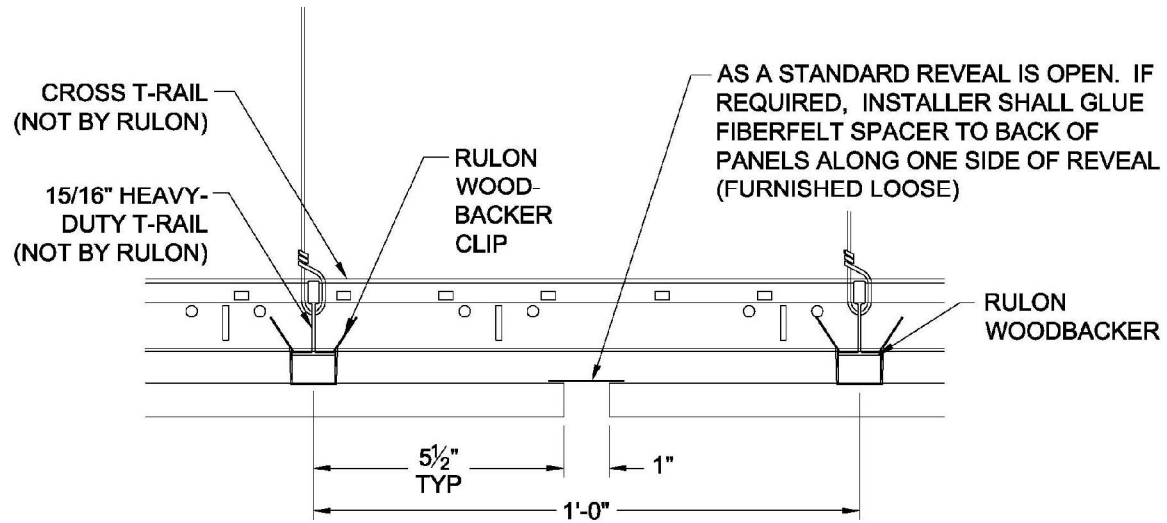
## **Step 3: Panel Grille Installation Sequence**

Panels shall be installed in sequence, from one side of the room to the other. The first panel will be positioned with the recessed backer toward the wall. The panels shall be initially suspended with a clip at each of the four corners. Intermediate clips can then be more readily added. Panels should be added – female to male across the room. If hardboard spacers are included, spacers furnished loose for between panels shall be installed sequentially.

### **Note:**

When an acoustical blanket is to be installed, it should be placed behind the ceiling as the installation progresses.

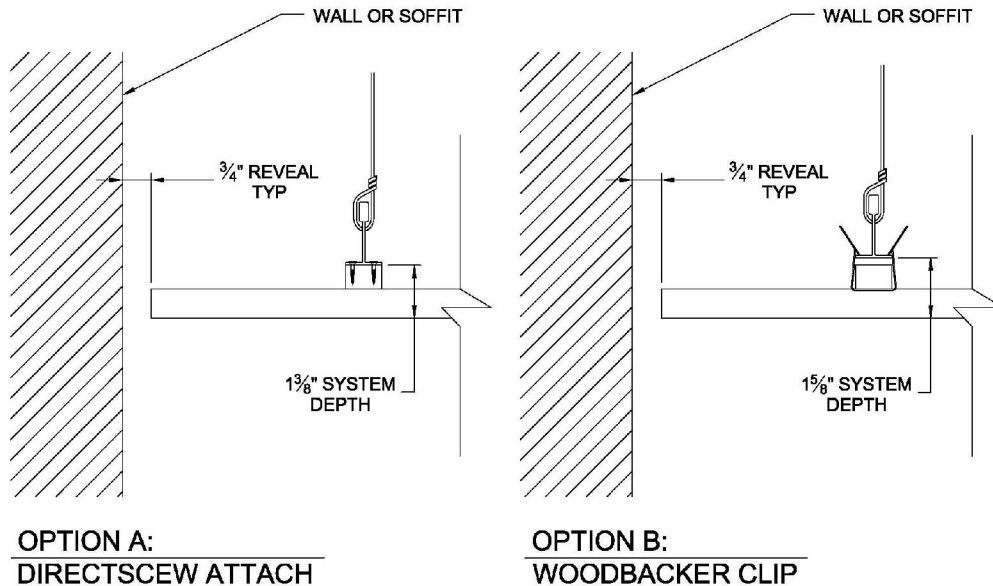
# Rulon Suspended Panelized Linear Open Wood Ceiling Install Guide



## **Step 4: Layout of Reveals**

Unless otherwise specified and/or detailed in the shop drawings, as each succeeding row of panels is added, a 1" reveal shall be maintained allowing the use of standard 1' cross tees between main T-Rails.

# Rulon Suspended Panelized Linear Open Wood Ceiling Install Guide



## **Step 5: Perimeters**

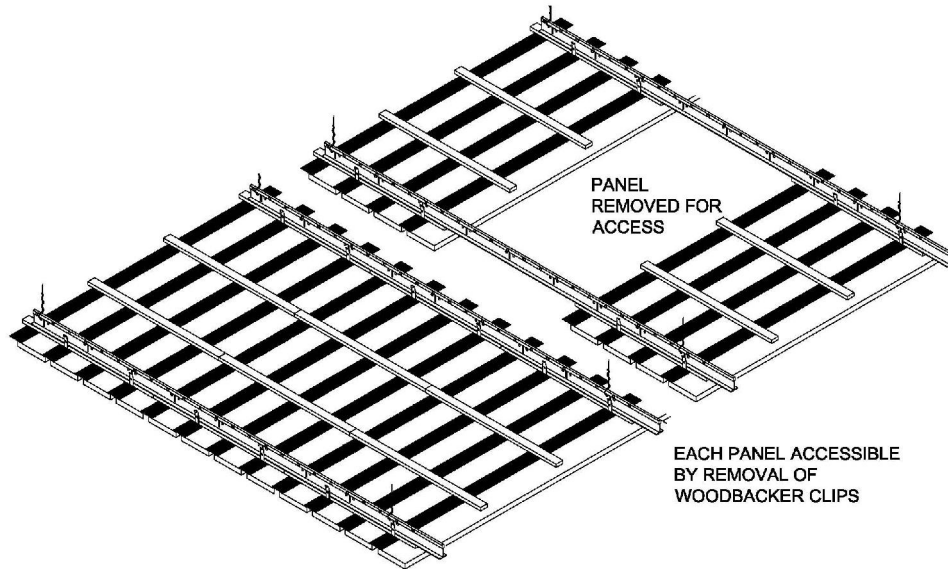
Unless otherwise specified and/or detailed on the shop drawings, perimeter panels typically maintain a target 3/4" reveal at the perimeter. If cutting is required, it is recommended to scribe and cut with a sliding miter saw with a fine-tooth carbide finish blade. It is important that the blade is new. **Use provided touch-up finish to seal the cut ends of all panels.**

## **Step 6: Cleanup**

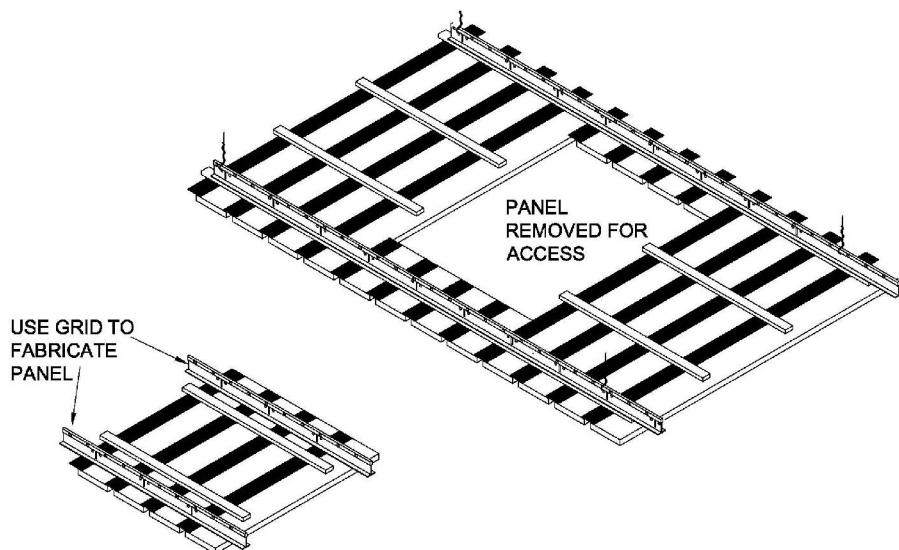
- a. Make final adjustments to level or contours.
- b. Clean all wood blades and borders free of dirt, dust, grease, oils, and fingerprints. Refer to the Rulon Care and Maintenance document for further instructions.
- c. Remove and replace all work that cannot be successfully cleaned or repaired.

# Rulon Suspended Panelized Linear Open Wood Ceiling Install Guide

## Access:



**Option 1:** When woodbacker clips are used for installation, all panels become accessible. Removal is achieved by use of an awl or screw driver to disengage clips.



**Option 2:** When ceilings are direct attached, an access door may be field-fabricated as shown above.