

RULON ACCENT BEAM SYSTEM

ARCHITECTURAL SPECIFICATIONS

PART 1 - GENERAL

- A. The Rulon Accent Beam System covered by this specification shall be the products of the Rulon International, World Commerce Center, 2000 Ring Way Road, St. Augustine, FL 32092. Phone: 800-227-8566, Fax: 904-584-1499.
- B. The General Conditions and the requirements of Division 1 of the specifications shall apply to all work hereunder.
- C. All work shall be performed in accordance with the manufacturer's instructions, and in a manner satisfactory to the owner's representative.

1.01 SCOPE

Rulon International shall furnish all Rulon Accent Beam assemblies necessary to complete installation by the contractor, in accordance with plans and specifications. All suspension components shall be supplied by the contractor, as specified.

1.02 RELATED WORK NOT INCLUDED UNDER THIS SECTION

Suspension systems and components for ceilings or walls, other than manufacturer's Rulon Accent Beam System, are not included.

1.03 QUALITY ASSURANCE

- A. **Installer Qualifications:** The installer must be a firm with a minimum of two (2) years of successful experience in installation of products with similar requirements to this project. The installer must be acceptable to the architect, manufacturer, and owner's representative.
- B. **Fire Performance Characteristics:** When specified as "Fire Resistant", Rulon Accent Beams shall conform to Class 1, or A flame spread rating, when tested according to ASTM E-84.
- C. **Environmental Standards:** When required, veneer panel components shall originate from well managed forests as certified by accredited and recognized industry certifying organizations.

1.04 PROJECT CONDITIONS

Installation shall be done only when the temperature and humidity closely approximate the interior conditions that will exist when the building is occupied. The heating and cooling systems shall be operating before, during, and after installation, with the humidity of the interior spaces maintained between 25% and 55%.

It is important that plenums have proper ventilation, especially in high moisture areas. There shall be no excessive build up of heat in the ceiling areas.

Prior to the start of installation, all exterior windows and doors are to be in place, glazed, and weather-stripped. The roof is to be watertight, and all wet trades' work is to be completed, and thoroughly dry.

Mechanical, electrical, and other utility service installations above the ceiling plane shall have been completed. No materials should rest against, or wrap around, the accent beam suspension components or connecting hangers.

1.05 COORDINATION OF WORK

The layout and installation of Rulon Accent Beam system shall be coordinated with other work. This includes light fixtures, HVAC equipment, and fire suppression system components.

1.06 SUBMITTALS

- A. Product Data: Rulon International shall provide product specifications and installation instructions for all supplied materials.
- B. Shop Drawings: Rulon International shall supply shop drawings showing Rulon Accent Beam details deemed pertinent to proper installation.

1.07 DELIVERY, STORAGE, AND HANDLING

- A. Rulon Accent Beam assemblies shall be delivered to the project site in original, unopened packages.
- B. The Rulon Accent Beams shall be stored in a fully enclosed space. For a minimum of seventy-two (72) hours immediately prior to ceiling installation, the Rulon Accent Beams shall be stored in the room in which they will be installed. The temperature and humidity of the room shall closely approximate those conditions that will exist when the building is occupied. The Rulon Accent Beams must be stored off the floor.
- C. Care in handling must be exercised to avoid damage.

1.08 WARRANTIES

- A. Manufacturer: All materials supplied by the Accent beam manufacturer shall be guaranteed against manufacturing defects for one (1) year. Because of different site conditions, wood stains and colorings can vary with age, and are excluded from this warranty.
- B. Contractor: All work shall be guaranteed for one (1) year from final acceptance of completed work.

PART 2 - PRODUCT

2.01 ACCENT BEAMS

The accent beams shall be manufactured by Rulon International, St. Augustine, Florida, PH-1-800-227-8566. Accent Beams shall be factory-fabricated to sizes established by approved Rulon shop drawings and confirmed by field dimensions. The Rulon Accent Beams will be made with a [veneer species] face veneer, [veneer cut] [veneer match], applied to a 3/4" thick core material. Wood is a natural product that will undergo changes with variations in the environment. Therefore, all dimension tolerances are $\pm 1/8"$.

2.02 SUSPENSION SYSTEMS

The Rulon Accent Beams shall be installed in accordance with applicable architect's drawings, and manufacturer's shop drawings and installation instructions.

Rulon Accent Beams will be manufactured to attach to the ceiling/floor deck above. The beam may be suspended using threaded rod or #12 hanger wire.

Rulon Accent beams will be manufactured with interior bracing as required to produce a rigid assembly.

Rulon Accent Beams are intended for decorative purposes only, electrical fixtures, HVAC equipment and fire suppression components should be independently supported and must not rest on or wrap around the beams in any way.

2.03 FINISHES AND COLORS

The Accent Beam face surfaces shall be factory finished with a clear or custom stain as selected by the Architect. A clear finish is applied to the back side of beams. Wood is a natural product with variations in grain, texture and color – often ranging from light to dark – thereby affecting the surface look. Product finishes shall be stain or sealer coats – spray applied to a smooth sanded surface.

PART 3 - EXECUTION

3.01 PREPARATION

- A. Ceiling Layout: The contractor shall measure applicable areas, and establish layout of Rulon Accent Beams and support structure, in accordance with installation instructions.
- B. Coordination: The contractor shall furnish the layout for supports that shall be installed for support of the Rulon Accent Beam assemblies. He shall furnish concrete inserts, steel deck hanger clips, or similar devices for installation, in time to coordinate the work.

3.02 INSTALLATION

General: The contractor shall install materials in accordance with Rulon International printed instructions and architect's drawings. The installation will comply with applicable regulations and industry standards.

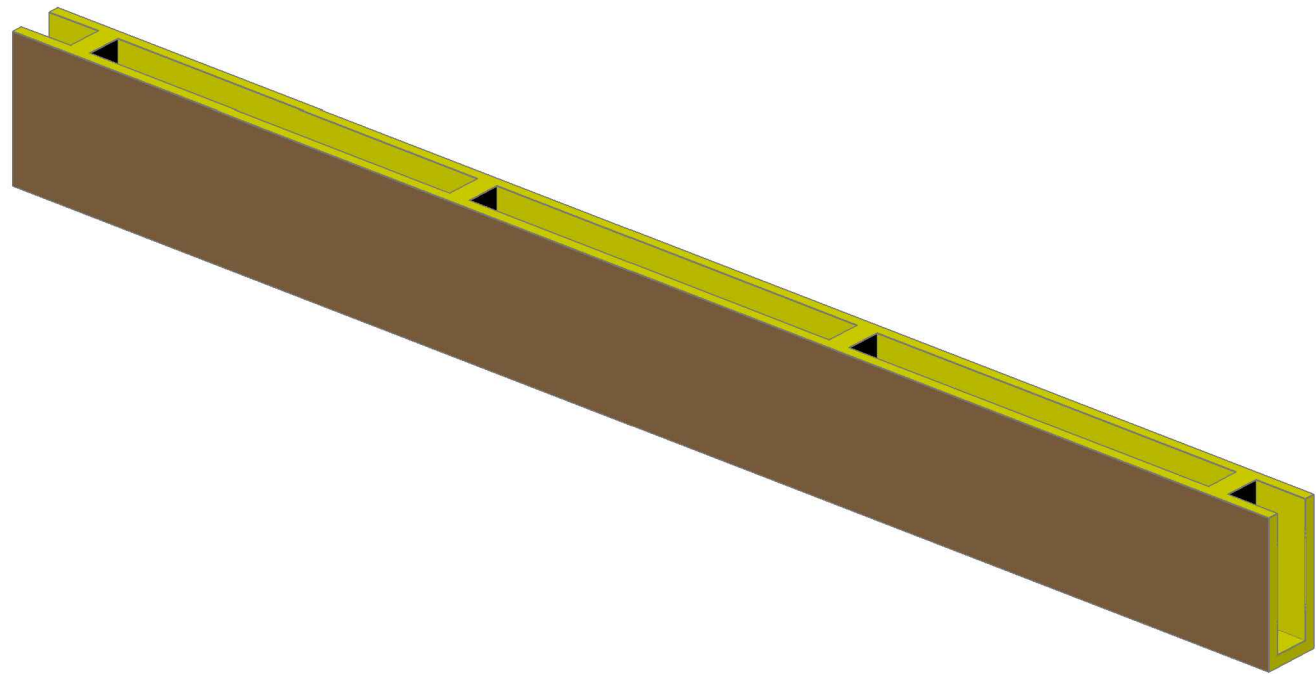
3.03 ADJUSTMENT, CLEANING, AND REPAIR


- A. The contractor shall make final adjustments to level or contours.
- B. Upon completion of installation, all Accent Beam surfaces and borders shall be cleaned free of dirt, dust, grease, oils, and fingerprints.
- C. All work that cannot be successfully cleaned or repaired shall be removed and replaced.

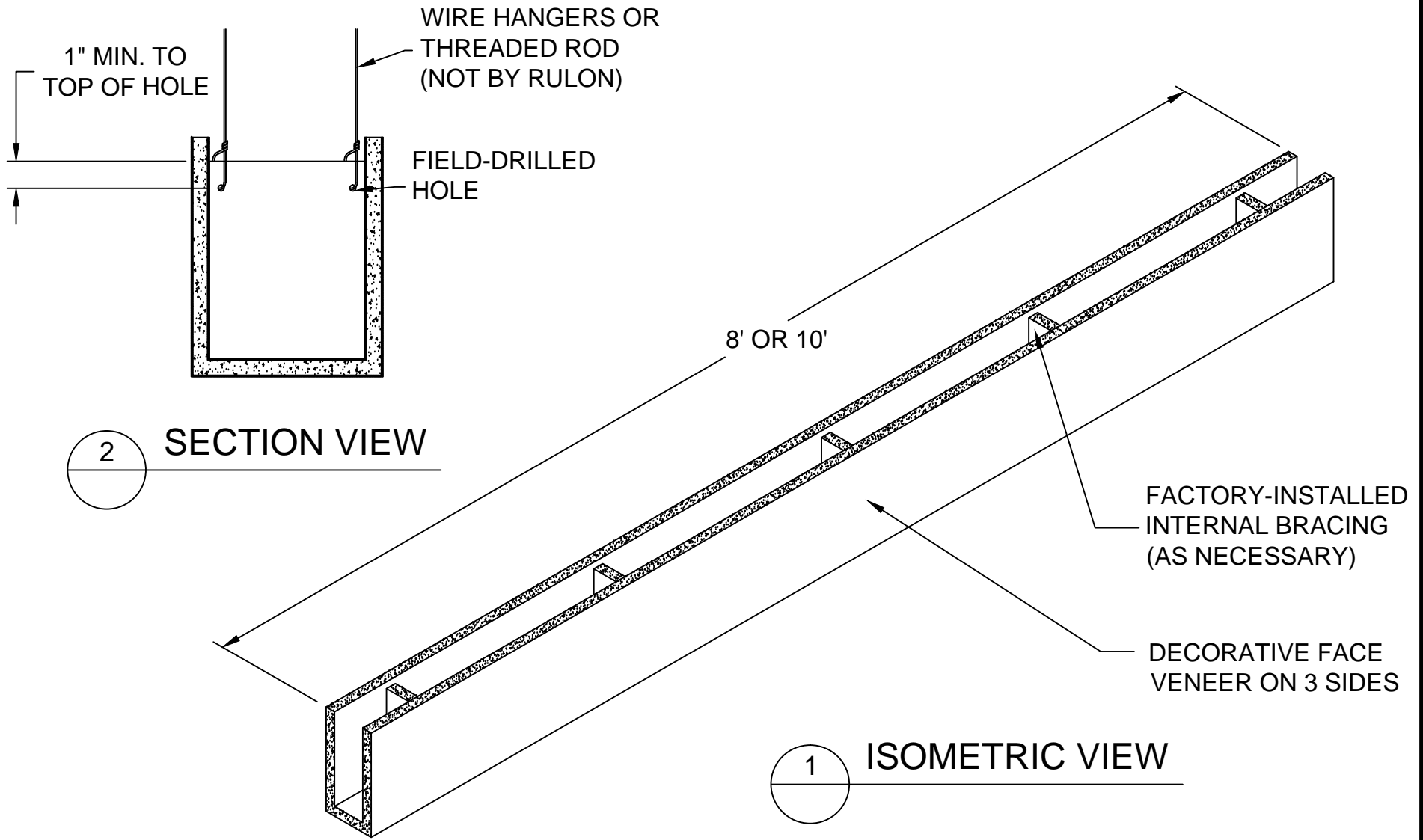
3.04 INSPECTION

Upon completion of installation, the owner's representative shall inspect all finished surfaces to ensure that work has been performed in a manner satisfactory to the owner. Any deficiencies in the installed Accent beams shall be corrected by the contractor at no additional cost to the owner, or to the manufacturer.

<u>DRAWING #</u>	<u>TITLE</u>
B0000001	Accent Beams - Isometric View
B0000002	Accent Beams - Installation Methods
B0000003	Accent Beams - End Cap Detail
B0000004	Accent Beams - Curved Beam Isometric View



 RULON INTERNATIONAL	World Commerce Center 2000 Ring Way Road St. Augustine, FL 32092 Ph: 1-800-227-8566 904-584-1400 Fax: 904-584-1499 www.rulonco.com info@rulonco.com	PROJECT: 	ISSUE DATE: 	DRAWN BY: CAP	PROJECT NUMBER:
	TITLE: Accent Beams Index	REVISION DATE: MAY/13/2011	CHECKED BY: TA	DRAWING NUMBER: BXXINDEX	



2 SECTION VIEW

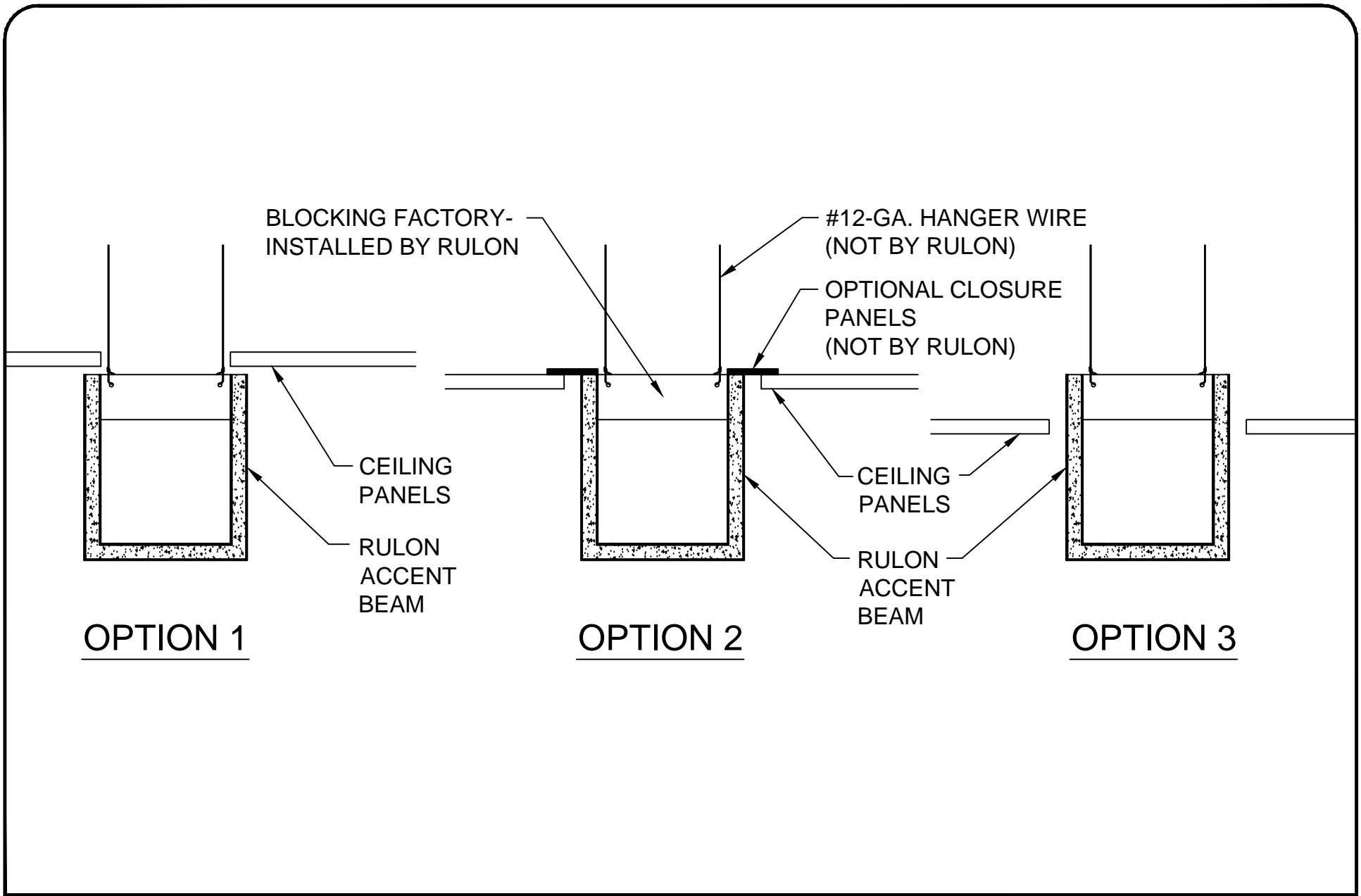
1 ISOMETRIC VIEW




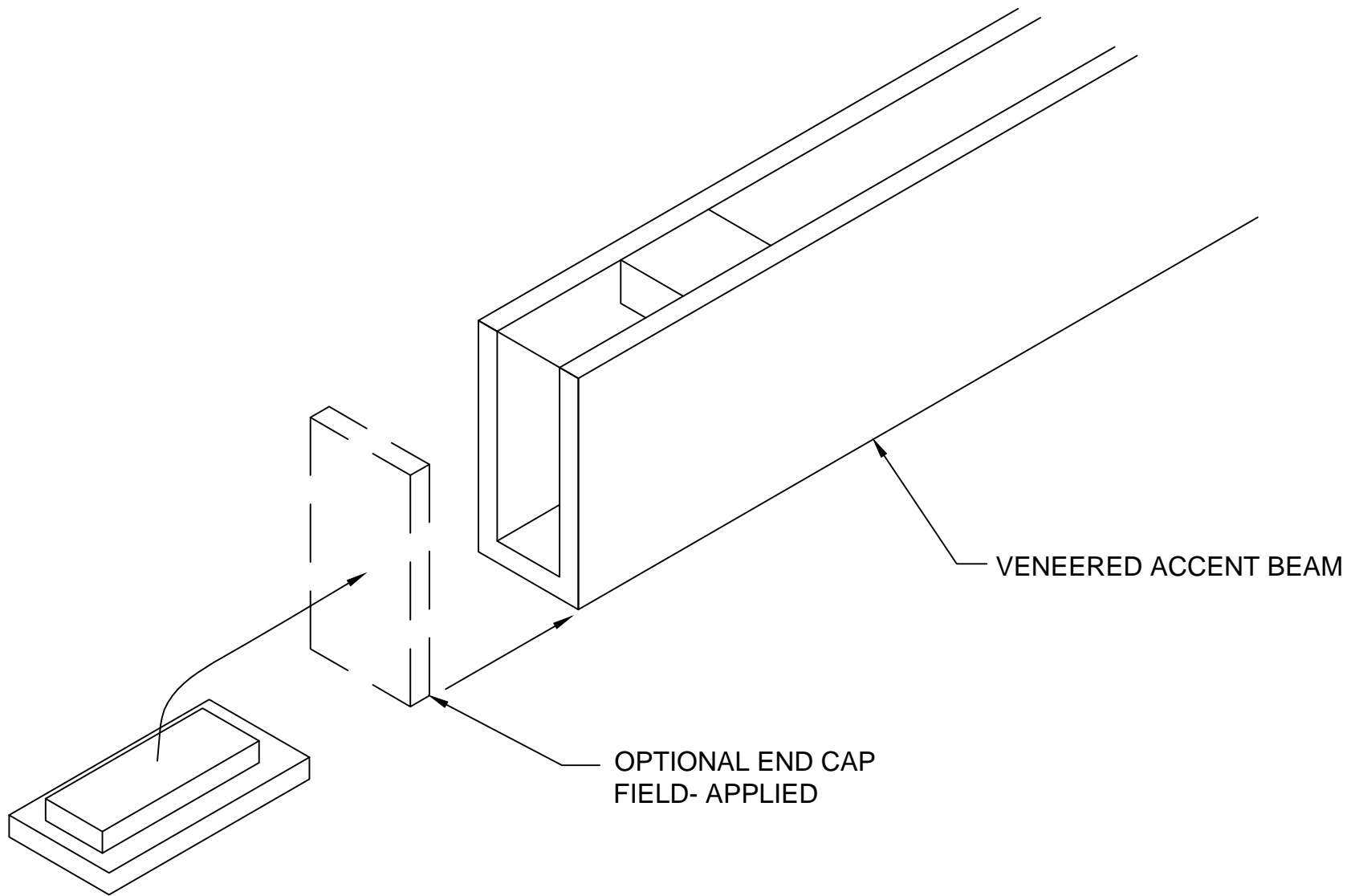
RULON INTERNATIONAL

World Commerce Center
 2000 Ring Way Road
 St. Augustine, FL 32092
 Ph: 1-800-227-8566
 904-584-1400
 Fax: 904-584-1499
 www.rulonco.com
 info@rulonco.com

PROJECT:	ISSUE DATE:	DRAWN BY:	PROJECT NUMBER:
TITLE: Accent Beams - Isometric View	REVISION DATE:	CHECKED BY:	DRAWING NUMBER:
	MAY/12/2011	TDA	B0000001
		CAP	



 <p>RULON INTERNATIONAL</p>	World Commerce Center 2000 Ring Way Road St. Augustine, FL 32092 Ph: 1-800-227-8566 904-584-1400 Fax: 904-584-1499 www.rulonco.com info@rulonco.com	PROJECT: 	ISSUE DATE: 	DRAWN BY: CAP	PROJECT NUMBER:
	TITLE: Accent Beams - Installation Methods	REVISION DATE: MAY/12/2011	CHECKED BY: TA	DRAWING NUMBER: B0000002	



World Commerce Center
 2000 Ring Way Road
 St. Augustine, FL 32092
 Ph: 1-800-227-8566
 904-584-1400
 Fax: 904-584-1499
 www.rulonco.com
 info@rulonco.com

PROJECT:

TITLE:

Accent Beams - End Cap Detail

ISSUE DATE:

REVISION DATE:

MAY/12/2011

DRAWN BY:

CAP

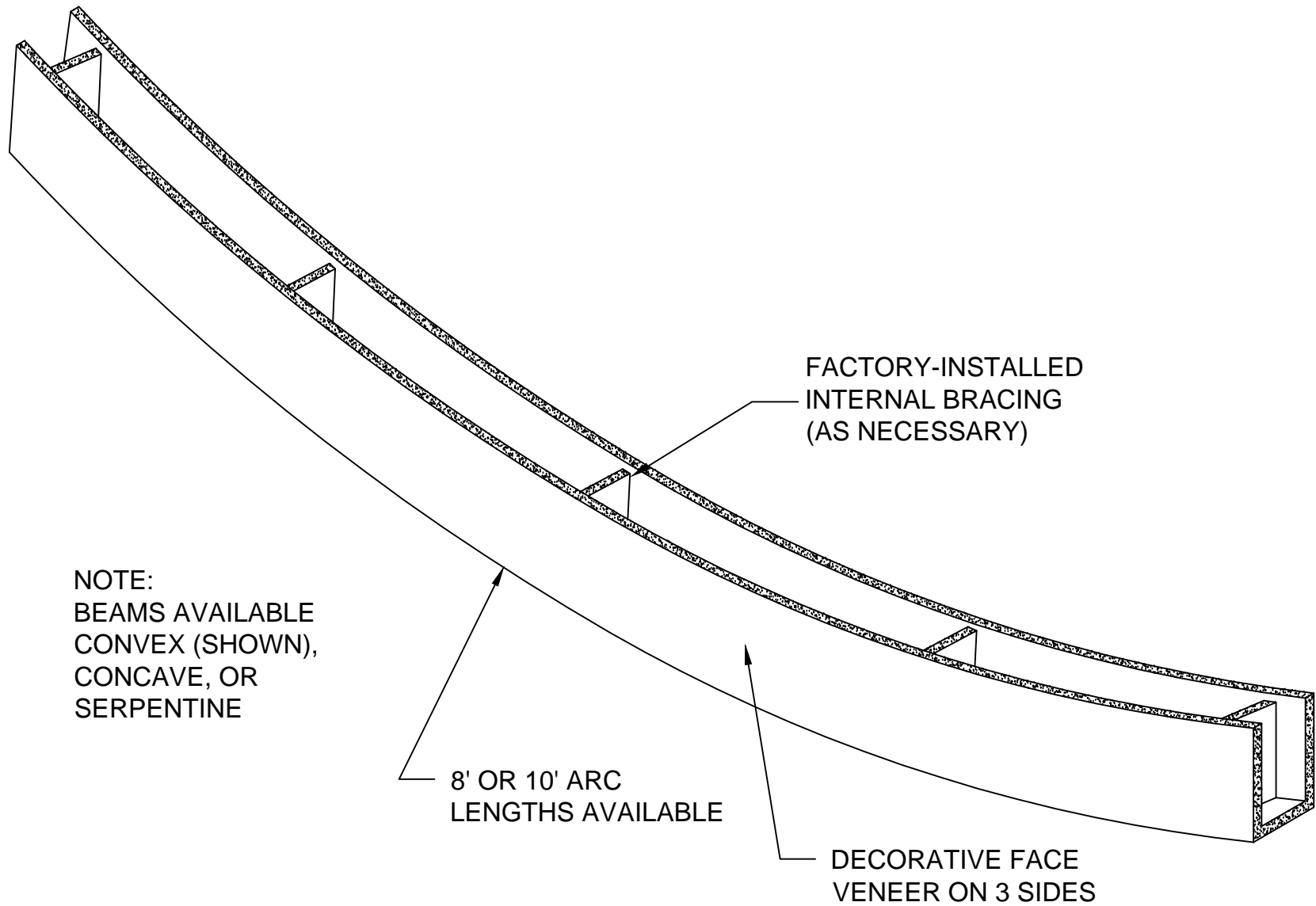
CHECKED BY:

TA

PROJECT NUMBER:

DRAWING NUMBER:

B0000003



RULON INTERNATIONAL

World Commerce Center
2000 Ring Way Road
St. Augustine, FL 32092
Ph: 1-800-227-8566
904-584-1400
Fax: 904-584-1499
www.rulonco.com
info@rulonco.com

PROJECT:

TITLE:

Accent Beams - Curved Beam
Isometric View

ISSUE DATE:

REVISION DATE:

MAY/12/2011

DRAWN BY:

CAP

CHECKED BY:

TDA

PROJECT NUMBER:

DRAWING NUMBER:

B0000004