



RULON INTERNATIONAL

Flat Panel and Aluratone Custom Size Walls and Ceilings
Installation Guide

Rulon Flat Panel and Aluratone Custom Size Installation Guide

Receipt and Storage:

- a. All material shall be delivered to the project site in the original, labeled, unopened packages. Keep packages of components unopened until it is time to acclimate to the building conditions
- b. Material shall be stored flat and level in a fully enclosed space. **DO NOT Store Rulon products in direct sunlight.** Seventy-two hours before beginning ceiling installation, wood strips must be moved into the room where the HVAC system is operating and the packaging shall be opened. This is to allow the boards to adjust to the room environment. Wood panels are to be stored off the floor.
- c. Care in handling must be exercised to avoid damage.

Before You Begin Installation:

- a. Ensure that all necessary tools are available (see below)
- b. Check Wall components to ensure all items required are at hand
- c. Review this guide in its entirety. If you have any questions, call Rulon Company before you start the installation

If You Need Further Assistance:

- If you have any questions, or if you encounter a situation not covered by this installation guide, contact the Rulon Technical Department.

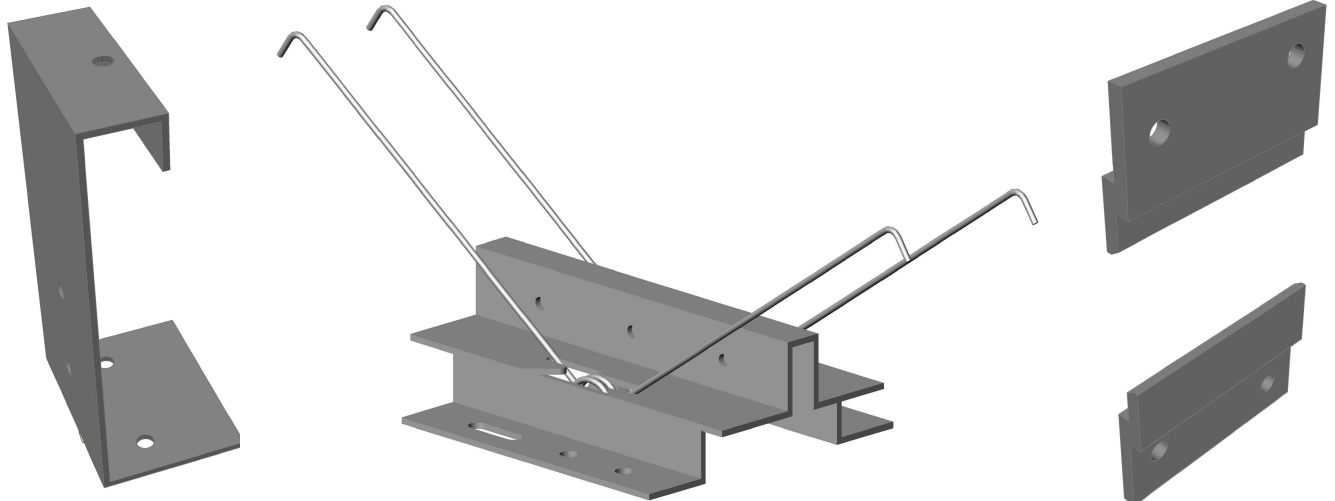
Phone: 1-800-22RULON (1-800-227-8566)

Fax: 1-904-584-1499

Tools and Equipment:

- Standard leveling devices
- Saber saw
- Miter saw
- Table Saw
- Nail gun/Staple Gun
- Painters tape
- Colored putty/ fill crayons
- Screw Guns/Drills

Rulon Flat Panel and Aluratone Custom Size Installation Guide



C-Hanger
(Ceilings)

Torsion Springs
(Ceilings)

Z-Clips
(Walls)

Ceiling and Wall Components:

Supplied by Rulon:

- Veneer Panels
- Perimeter and border trim (when specified)
- Gasket or felt for ceiling reveals
- Suspension Hardware (see above)
- Touch-up finish

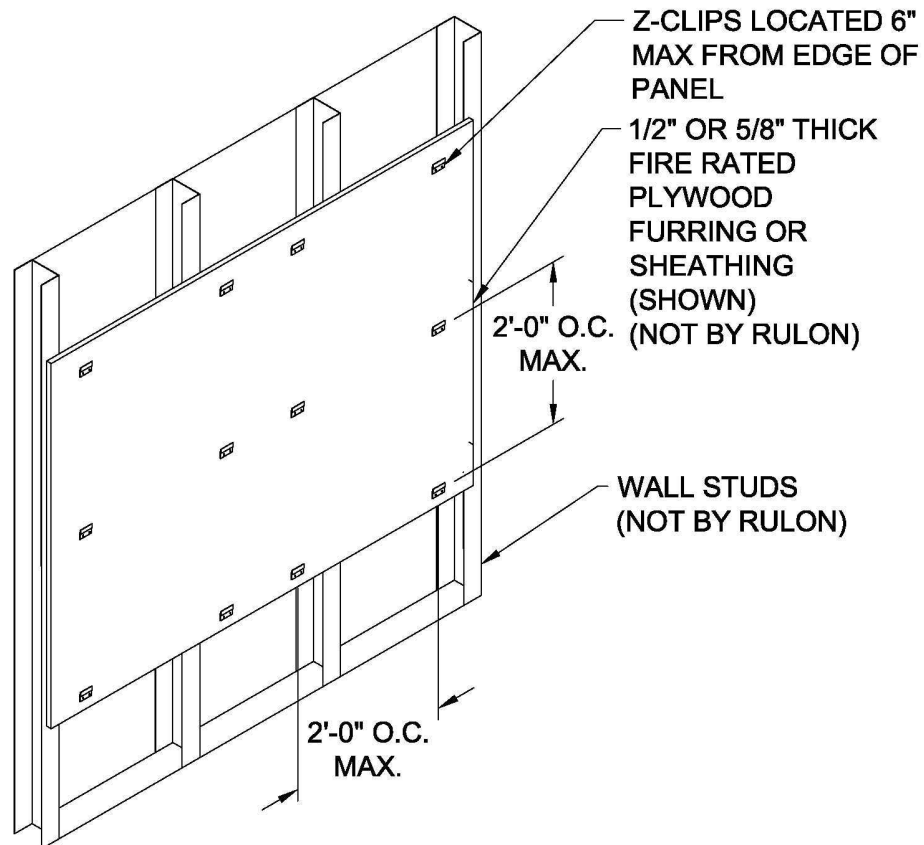
Supplied by Others:

- Ceilings – Heavy Duty Grid and #12 Gauge Hanger Wire
- Walls - Furring strips and/or Plywood Sheathing
- Acoustical Blanket (when specified)

References:

- Optional: ASTM E-1264 – Standard Classification of Acoustical Ceiling Products
- Optional: Seismic Considerations – Refer to Local Code

Rulon Flat Panel and Aluratone Custom Size Installation Guide



Step 1: Wall (Shown) or Ceiling Preparation

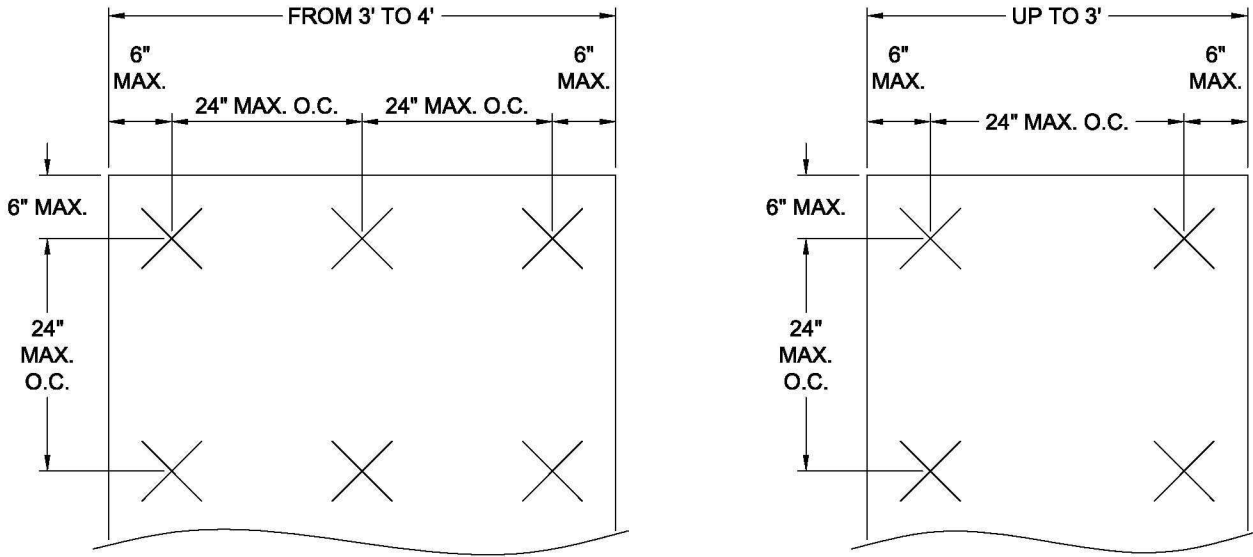
Walls: Level and Install furring strips or plywood sheathing across wall studs as shown above. Mark locations and Install Z-Clips keeping in mind attachment criteria on the following page.

Note: Z-clips should be installed on panel first, then locate mating z-clip on wall.

Note: For Aluratone Panels ensure attachment locations avoid perforations.

Ceilings: Install Heavy Duty Ceiling Grid on Maximum 2' Centers unless otherwise detailed in Rulon shop drawings.

Rulon Flat Panel and Aluratone Custom Size Installation Guide

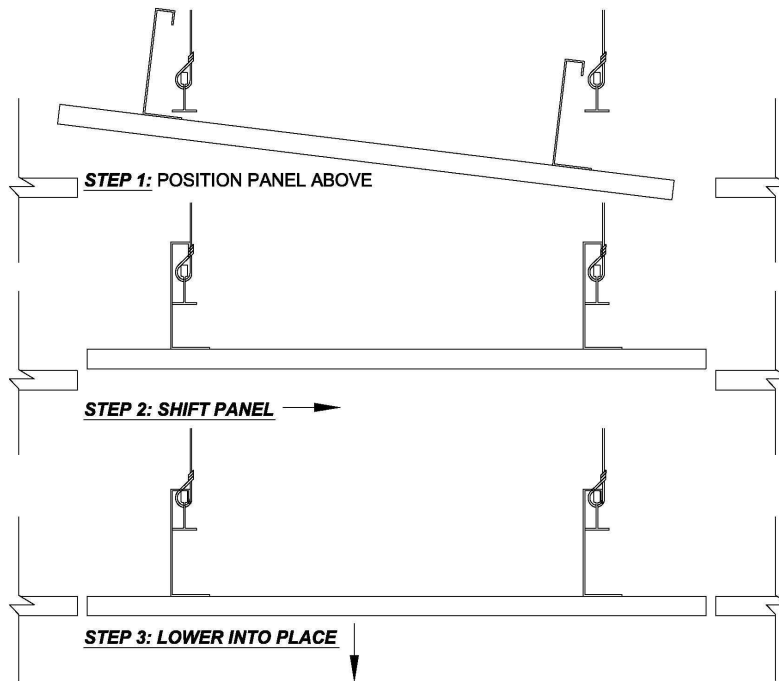


Step 2: Installing Panels

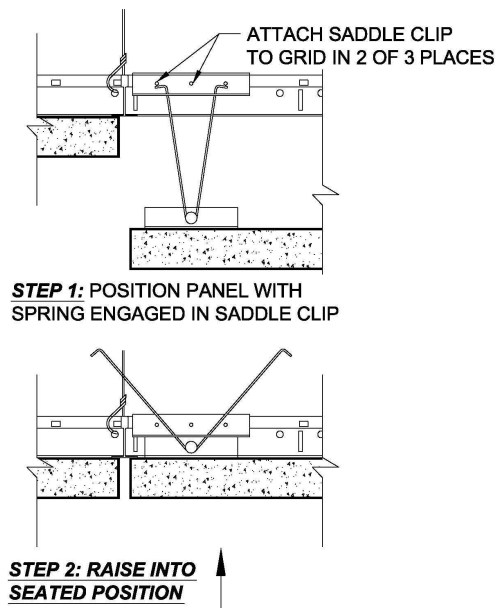
Fasten Panels to suspension systems using hardware as indicated on shop drawings. Utilize the above attachment criteria for flat veneer or Aluratone panels. Refer to Rulon Shop drawings for curved or flexible panels as additional attachment points may be required. See the following two pages for typical hardware installations.

Rulon Flat Panel and Aluratone Custom Size Installation Guide

a) C-Hangers Installation

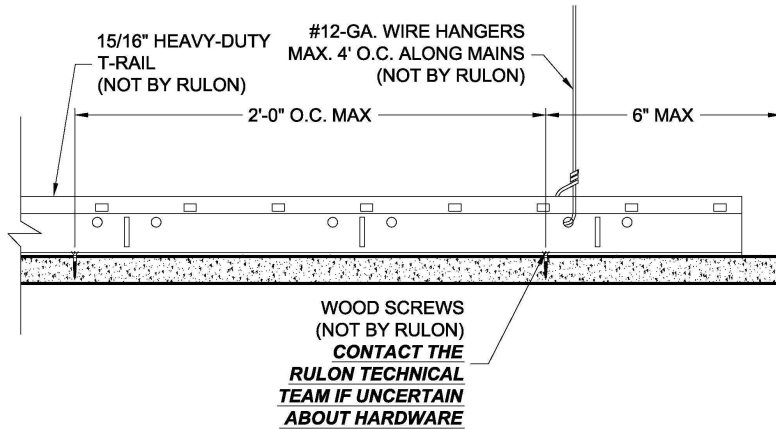


b) Torsion Spring Installation

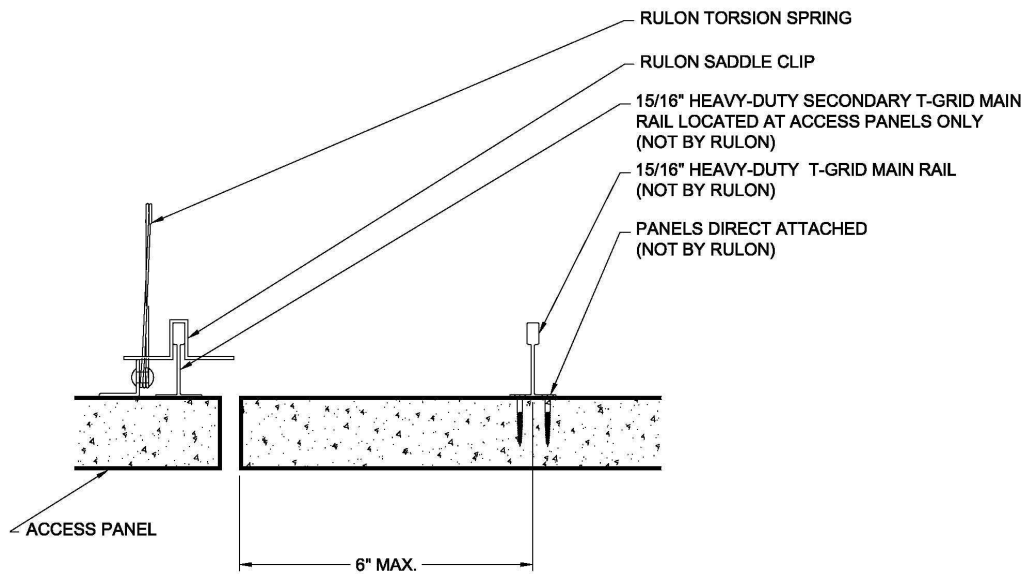


Rulon Flat Panel and Aluratone Custom Size Installation Guide

c) Direct Attachment



d) Access Panels with direct-screw attachment



One Method of installing access panels with direct-screw attached panels is to run secondary grid and install saddle clips and torsion springs, as shown above. Size of panel and quantity of torsion springs is dependent upon ceiling layout and Architect's design.

Rulon Flat Panel and Aluratone Custom Size Installation Guide

Step 3: Bases and Borders

Panels are to be field-trimmed to fit site conditions. Trimming should be done with the appropriate saw, with painters tape on the veneer side to prevent splintering. Penetration cuts require a saber/jig saw, long-dimension cuts/rips required a table saw, and cross-cuts require a miter saw. Cut panels should be touched up with Rulon-supplied finish.

Step 4: Cleanup

1. Clean all wood panels and borders free of dirt, dust, grease, oils, and fingerprints. Routine cleaning is best accomplished with a soft, lint-free cloth lightly dampened with water or an inert household dust attractant. Allowing airborne dust, which is somewhat abrasive, to build up will tend to dull a finish over time. Refer to the Rulon Care and Maintenance document for further instructions.
2. Remove and replace all work that cannot be successfully cleaned or repaired.